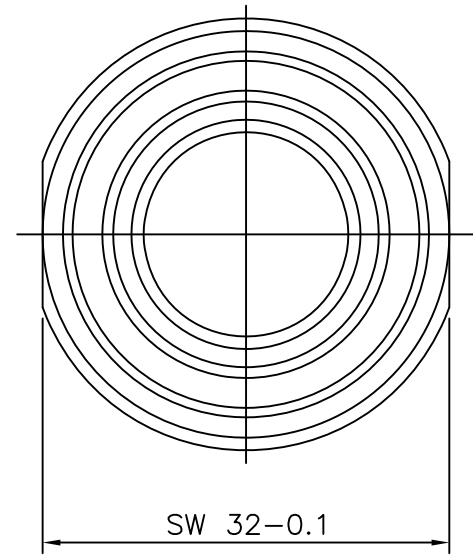
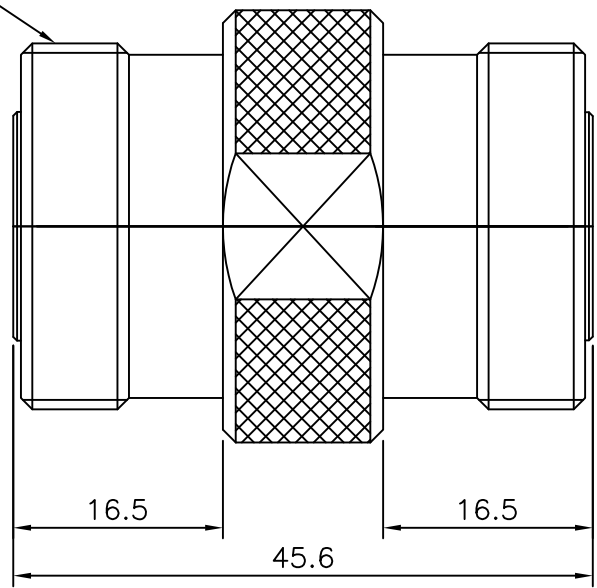


4	5	6
No.	Revision	Date
△		
△		

RoHS Compliant

M29xP1.5



Environmental data

Frequency range : DC ~ 6GHz  
 V.S.W.R : 1.20 : 1 Max  
 3rd Order IMD, typical : -122 dBm @ 1800 MHz  
 3rd Order IMD Test Method : Two +43 dBm carriers  
 Operating Temperature : -45°C ~ 120°C

DIN TYPE(F) TO DIN TYPE(F) ADAPTOR

Connector parts	Materials	Finish
Body	Stainless steel	Passivated
Center contact	Be-cu	Silver Plated
Insulator	TFFLON	-

**CUSTOMER**

NO.	DESCRIPTION	Q'TY	MATERIAL	FINISH	REMARKS.
PARTS No.	D716-803-001		NAME DIN TYPE(F) TO DIN-TYPE(F) ADAP		APPROVED K.Y.SON
MATERIAL	FINISH	TOLERANCES OTHERWISE SPEC. ±0.05		ANGLES ±1°	CHECKED M.K.KIM
		SCALE	UNIT mm		DESIGNED S.J.PARK
		DWG NO. D716-803-003		DATE. 25/SEP/2013	