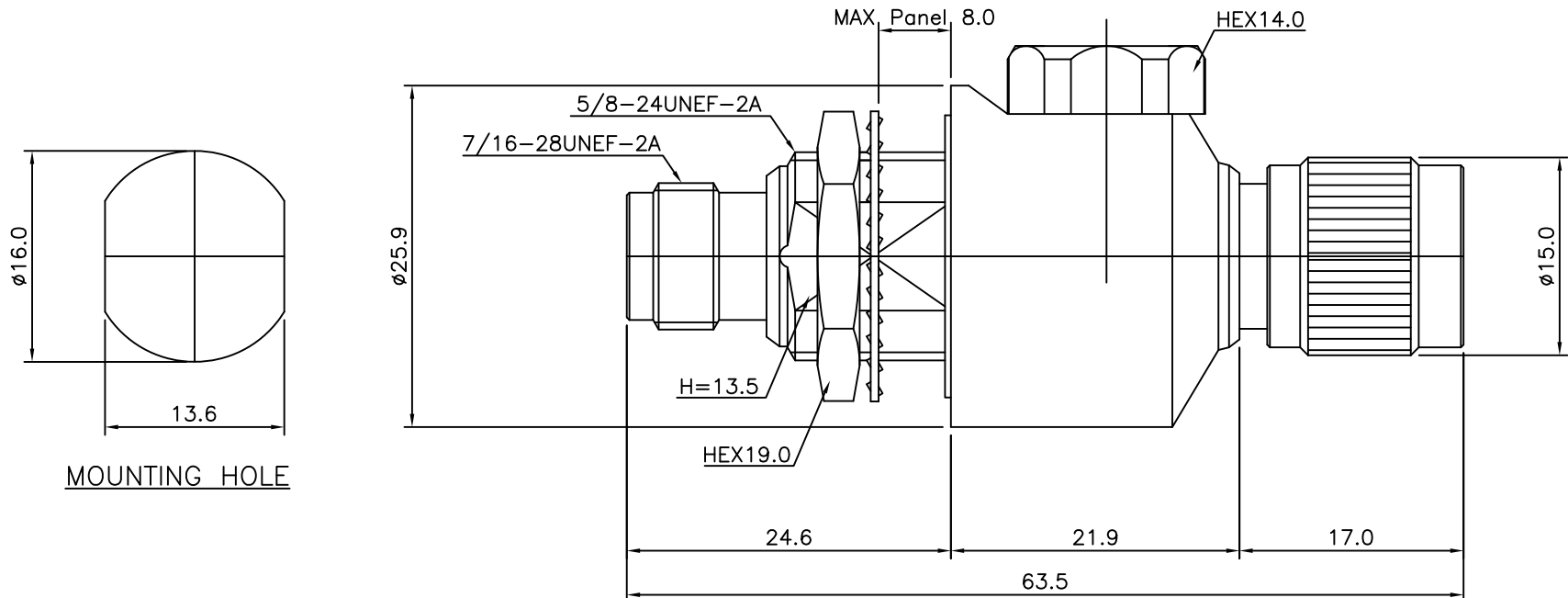


No.	Revision	Date	Name
△			
△			

ELECTRICAL SPEC.  
 1. Frequency Range : DC - 2.5 Ghz  
 2. Return Loss : 25 dB MAX  
 V.S.W.R : 1.1 : 1  
 3. Impedance : 50 Ω (Nominal)  
 4. Insertion Loss : 0.2 dB MAX  
 5. Type : Gas Capsule Type

RoHS Compliant

D  
C  
B  
A



Item	Materials	Plating
Coupling Cap	Brass	SUCO Plated
Body, Nut, Washer	Brass	SUCO Plated
Center contact	Be-Cu	Gold Plated
Insulator	PTFE	-

CUSTOMER

NO.	DESCRIPTION	Q'TY	MATERIAL	FINISH	REMARKS.
PARTS No.	DJAR-01-2TT-0B		NAME TNC-BH J TO P ARRESTER		APPROVED S.J.LEE
MATERIAL	FINISH	TOLERANCES OTHERWISE SPEC. $\pm 0.05$		ANGLES $\pm 1^\circ$	CHECKED
SCALE		UNIT mm			DESIGNED S.J.PARK
DWG NO.		DJAR-01-2TT-0B		DATE. 31/DEC/2013	

