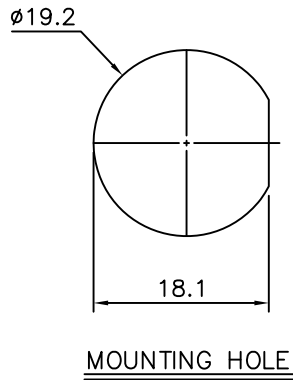


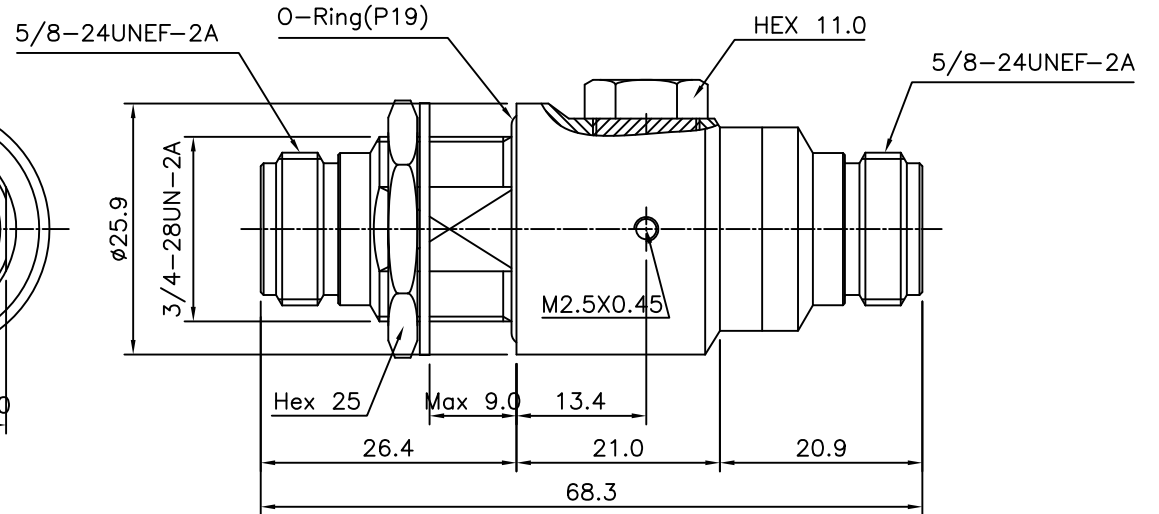
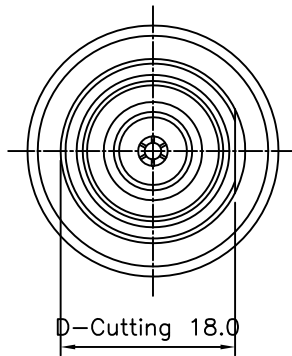
4	5	6
No.	Revision	Date
△		
△		

SPECIFICATIONS

Impedance ; 50ohm
 Frequency range ; 0 to 2500 MHz
 Return loss ; ≥ 20 dB
 Insertion loss ; ≤ 0.2 dB
 RF CW power ; ≤ 150 W



MOUNTING HOLE



DC~2,500 MHz
 N-TYPE Bulkhead JACK - N TYPE JACK ARRESTER

Item	Materials	Plating
Body, SET BOLT	Brass	SUCO Plated
Nut, Washer	Brass	SUCO Plated
Center contact	Be-Cu	Gold Plated
Insulator	PTFE	-
Gasket	Silicone Rubber	-

CUSTOMER

NO.	DESCRIPTION	Q'TY	MATERIAL	FINISH	REMARKS.
PARTS No.	DJAR-03-2NN-0H		NAME	N BH JACK-N JACK ARRE	APPROVED K.Y.SON
MATERIAL	FINISH	TOLERANCES OTHERWISE SPEC. ± 0.05		ANGLES $\pm 1^\circ$	CHECKED
		SCALE	UNIT mm		DESIGNED M.K.KIM
		DWG NO.	DJAR-03-2NN-0H		DATE. 22/FEB/2013



DONGJIN TI.