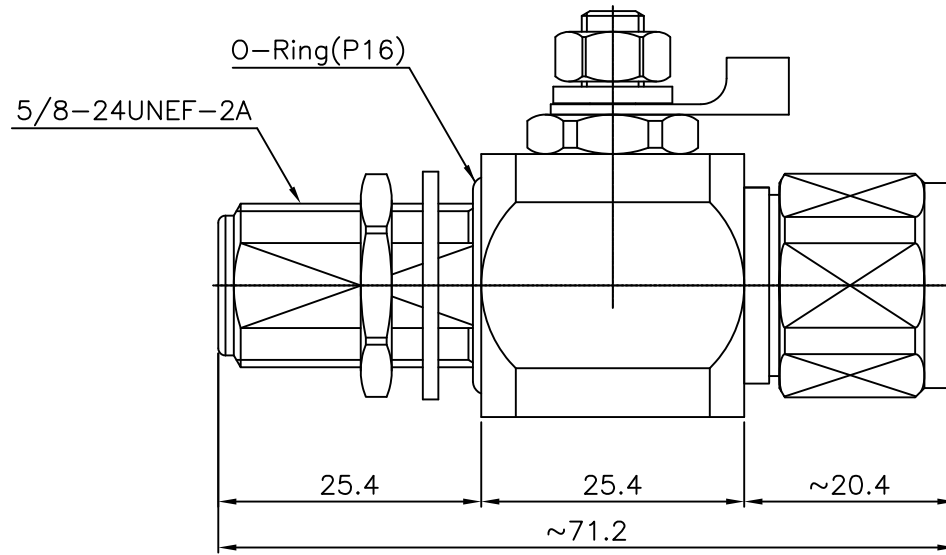
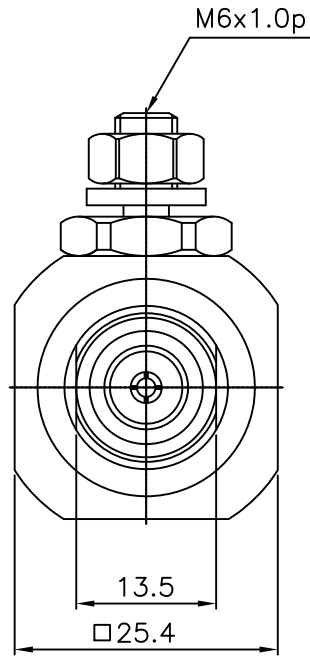


1 2 3 4 5 6

No.	Revision	Date	Name
△			
△			

D
C
B
A



ELECTRICAL SPEC.

1. Frequency Range : DC - 2.5 Ghz
2. Return Loss : 25 dB Min
V.S.W.R : 1.1 : 1 Max
3. Impedance : 50 Ω (Nominal)
4. Insertion Loss : 0.2 dB MAX
5. Type : Gas Capsule Type

Item	Materials	Plating
Body,Coupling	Brass	Suco Plated
Center contact	Be-Cu	Gold Plated
Insulator	PTFE	-
Seal	NBR	-

CUSTOMER

NO.	DESCRIPTION	Q'TY	MATERIAL	FINISH	REMARKS.
PARTS No.	DJAR-03-2NN-01		NAME	N-type ARRESTER	APPROVED
MATERIAL	FINISH	TOLERANCES OTHERWISE SPEC. ±0.05		ANGLES ±1°	CHECKED
		SCALE	UNIT mm		DESIGNED S.J.LEE
		DWG NO.	DJAR-03-2NN-01	DATE.	2003/9/26