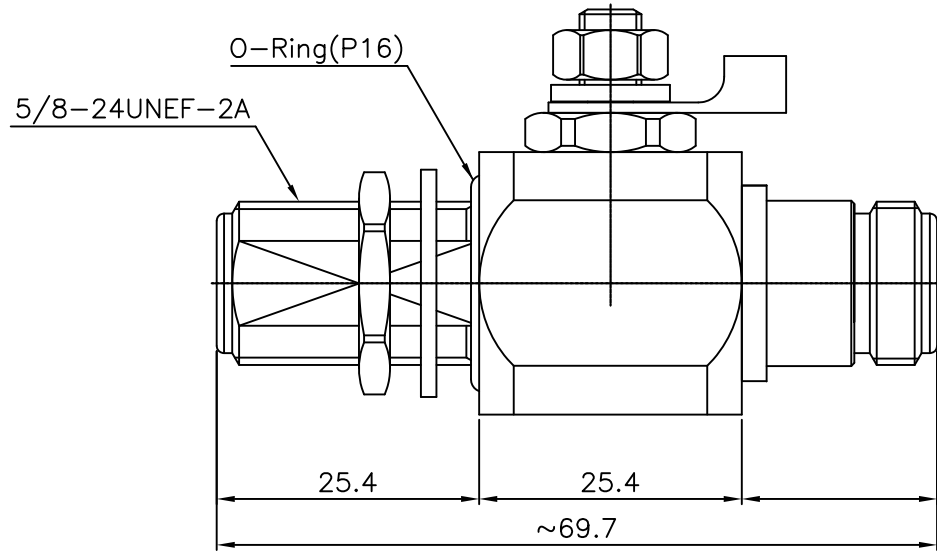
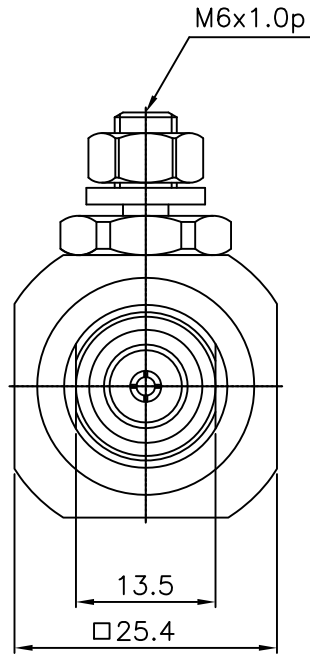


4	5	6
No.	Revision	Date
△		
△		



ELECTRICAL SPEC.

1. Frequency Range : DC – 2.5 Ghz
2. Return Loss : 25 dB MAX
V.S.W.R : 1.1 : 1
3. Impedance : 50 Ω (Nominal)
4. Insertion Loss : 0.2 dB MAX
5. Type : Gas Capsule Type

Item	Materials	Plating
Body	Brass	Suco Plated
Center contact	Be-Cu	Gold Plated
Insulator	PTFE	-
Seal	NBR	-

NO.	DESCRIPTION	Q'TY	MATERIAL	FINISH	REMARKS.
PARTS No.	DJAR-03-2NN-0J		NAME	N-type ARRESTER	APPROVED
MATERIAL	FINISH	TOLERANCES OTHERWISE SPEC. ±0.05		ANGLES ±1°	CHECKED
SCALE		UNIT	mm		DESIGNED S.J.LEE
DWG NO.		DJAR-03-2NN-0J		DATE.	2003/9/26

CUSTOMER



DONGJIN TI.