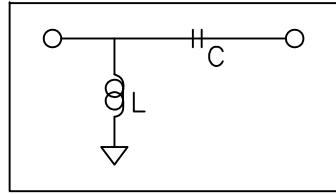


1 2 3 4 5 6

Specifications

FREQUENCY: 800MHz~2600MHz  
 IMPEDANCE : 50 Ω  
 V.S.W.R. : 1.2:1  
 INSERT LOSS : 0.2Max  
 PIM : 150dBc ( @ 43dBm - 2tone)  
 TYPE : Lamda( L + C )



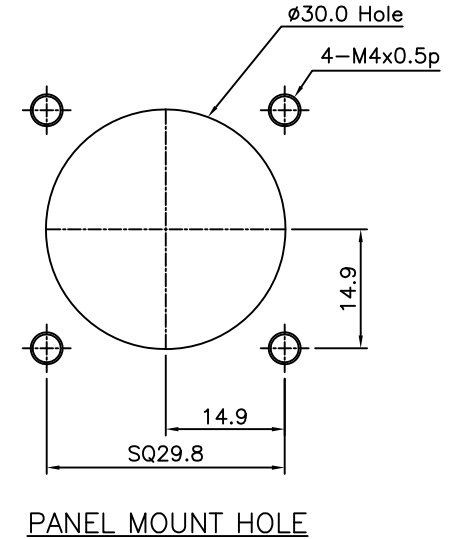
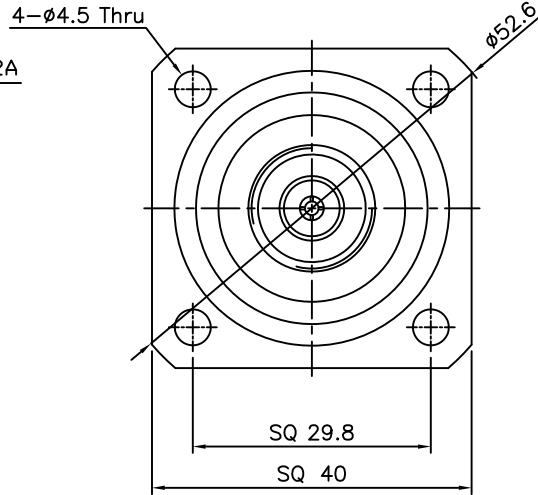
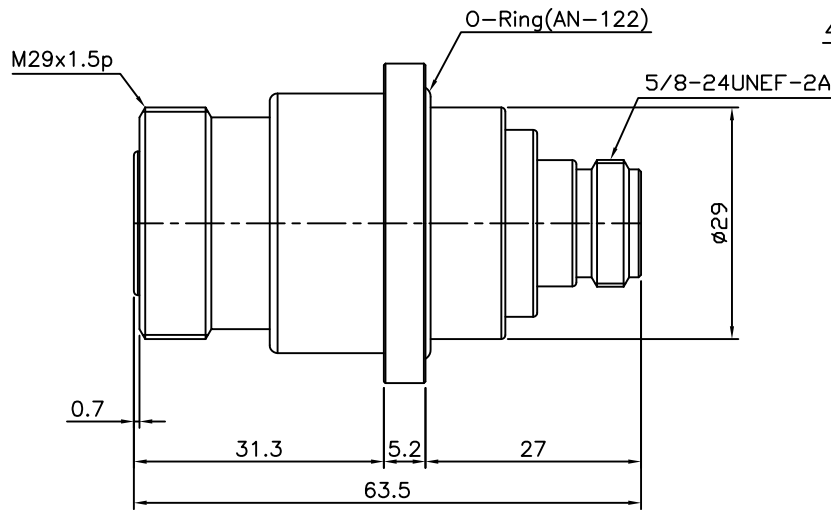
No.	Revision	Date	Name
▲			
▲			

RoHS Compliant

D

C

B



A

Item	Materials	Plating
Body	Brass	SUCO Plated
Center contact	Beryllium copper	Silver Plated
	Brass	Silver Plated
Insulator	TEFLON	-

CUSTOMER

7/16 DIN-FEMALE PANEL 4HOLE  
 TO N-FEMALE ARRESTER

NO.	DESCRIPTION	Q'TY	MATERIAL	FINISH	REMARKS.
PARTS No.	DJAR-0826-1DN-0A		NAME 716DIN-F 4H TO N-F ARRESTER		APPROVED S.J.LEE
MATERIAL	FINISH	TOLERANCES OTHERWISE SPEC. ±0.05		ANGLES ±1°	CHECKED
		SCALE N/S	UNIT mm		DESIGNED M.G.KIM
		DWG NO. DJAR-0826-1DN-0A			DATE. 29/MAY/2009



DONGJIN TI.