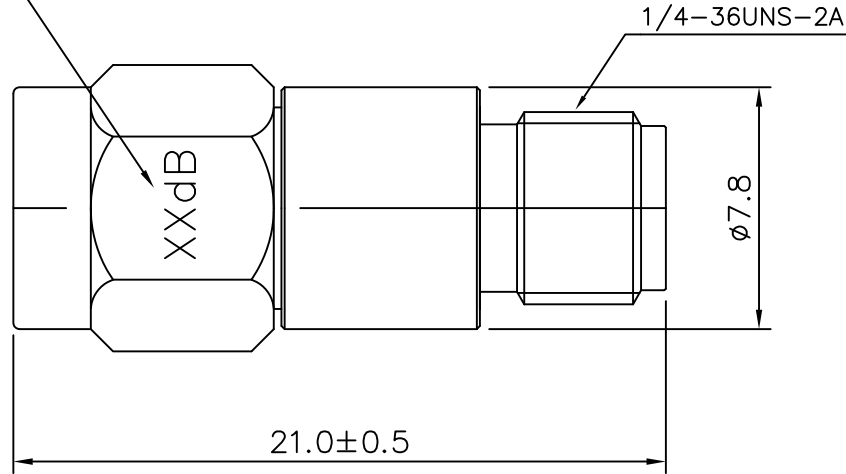


No.	Revision	Date	Name
①	PN Change from D-ATT-S1XX	05/07/2013	B.G.YUN
②	PN Change from DJAT-03-XX-1S-0A	24/07/2014	B.G.YUN

MARK-ATTEN VALUE



SPECIFICATIONS

Frequency Range----- DC~ 3.0GHz
 Attenuation Values----1-10,12,15 & 20dB
 Attenuation Accuracy----- ±0.3dB
 VSWR-----1.20:1Max.
 Impedance----- 50 Ohms
 Power Rating----- 1.0 Watts
 Oper Temp Range----- -40°C~+85°C
 CONNECTOR----- Brass/Gold plated
 Conductors----- Be-Cu/Gold plated

SMA-M/F ATTENUATORS
 DC~3GHz. 1WATT

CUSTOMER

NO.	DESCRIPTION	Q'TY	MATERIAL	FINISH	REMARKS.
PARTS No.	DJAT-03-XX-01S-0A	NAME	SMA-ATTENUATORS		APPROVED
MATERIAL	FINISH	TOLERANCES OTHERWISE SPEC. ±0.05		ANGLES ±1°	CHECKED
		SCALE	UNIT mm		DESIGNED S.J.LEE
		DWG NO.	DJAT-03-XX-01S-0A		DATE. 23/APR/2007