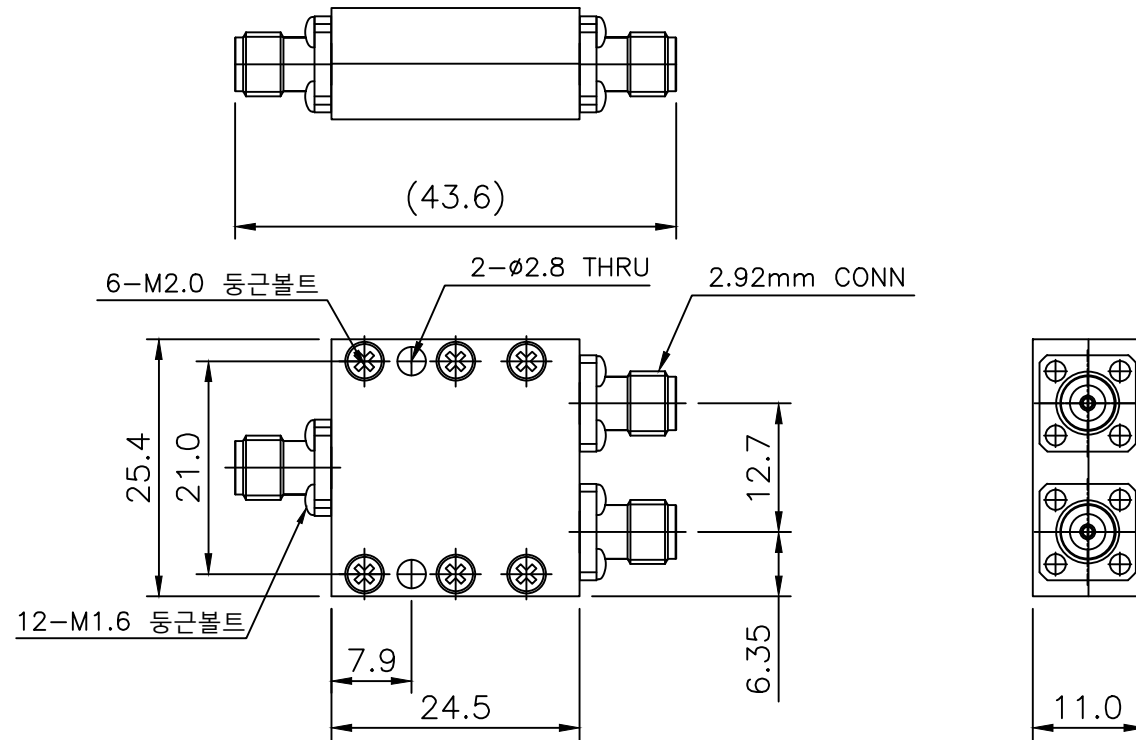


	~30	~50	~120	~200	~300	~500	~1,000	1,001~
MACHINING	±0.05	±0.1		±0.2				
ASSEMBLY	±0.2	±0.3		±0.4				
ANGLE	±1'		±0'30"	±0'20"				
CABLE(Bending)	±1'		±2	±3	±4	±5	±6	
CABLE(Flexible)	0~+5			0~+10			0~L*0.01	

No.	Revision	Date	Name
△			
△			



NO.	DESCRIPTION	Q'TY	MATERIAL	FINISH	REMARKS.
PARTS No. DJPD-28-02-S-0B		NAME 2-Way Power Divider		APPROVED C.S.PARK	
MATERIAL AL6061-T6		FINISH W. Chromate		CHECKED	
SCALE		UNIT mm		DESIGNED M.K.KIM	
DWG NO. DJPD-28-02-S-0B		DATE. 22/JUL/2020			

CUSTOMER



DONGJIN TI.