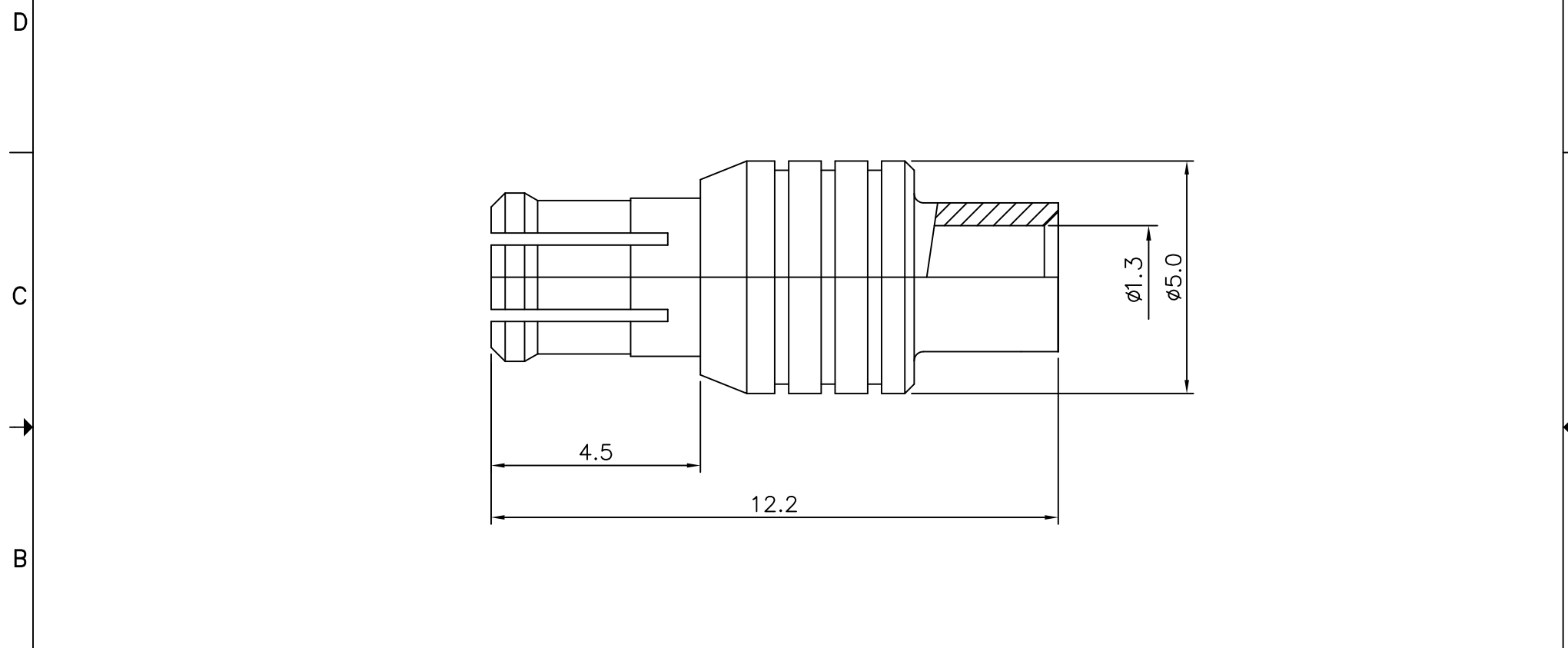


1	2	3	4	5	6	
			No.	Revision	Date	Name
			△	PN Change from 1M-100-00	12/FEB/2014	S.J.PARK
			△			



Connector parts	Materials	Finish
Body	Brass	Gold Plated
Outer contact	Be-Cu	Gold Plated
Center contact	Brass	Gold Plated
Insulator	TEFLON	-

MCX STRAIGHT PLUG
for Cable-UT047

NO.	DESCRIPTION	Q'TY	MATERIAL	FINISH	REMARKS.
PARTS No.	MCX-100-001		NAME	MCX-SP-047	APPROVED S.J.LEE
MATERIAL	FINISH	TOLERANCES OTHERWISE SPEC. ±0.05		ANGLES ±1°	CHECKED
CUSTOMER		SCALE	UNIT mm		DESIGNED S.J.PARK
		DWG NO.	MCX-100-001		DATE. 02/JAN/2013