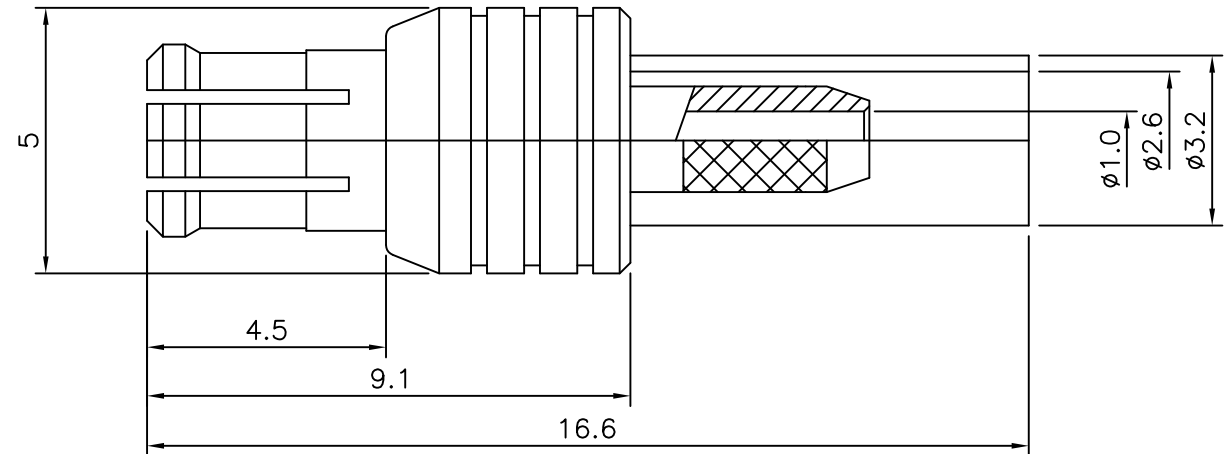


4	No.	Revision	5	Date	6
	△	PN Change from 1M-110-001		12/FEB/2014	S.J.PARK
	△				

RoHS Compliant



Item	Materials	Plating
Body	Brass	Gold Plated
Outner contact	Be-Cu	Gold Plated
Center contact	Brass	Gold Plated
Ferrule	Brass	Gold Plated
Insulator	TEFLON	-

MCX STRAIGHT PLUG
for Cable-RG178

NO.	DESCRIPTION	Q'TY	MATERIAL	FINISH	REMARKS.
PARTS No.	MCX-110-001		NAME	MCX-SP 178	APPROVED
MATERIAL	FINISH	TOLERANCES OTHERWISE SPEC. ±0.05		ANGLES ±1°	CHECKED
SCALE		UNIT	mm		DESIGNED S.J.LEE
DWG NO.		MCX-110-001		DATE. 28/MAR/2007	

CUSTOMER

