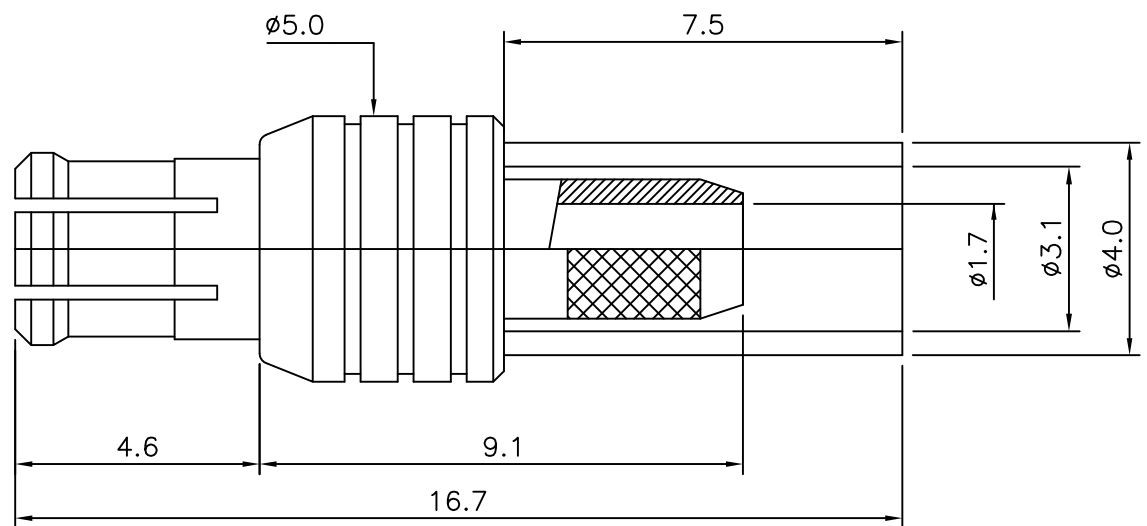


	1	2								3	4	5		6
	~30	~50	~120	~200	~300	~500	~1,000	~2,000	2,000~	No.	Revision	Date	Name	
MACHINING	±0.05	±0.1		±0.2						△	PN Change from 1M-111-00	05/11/2013	B.G.YUN	
ASSEMBLY	±0.2	±0.3		±0.4						△				
ANGLE	±1'	±0'30'		±0'20'										
CABLE(Bending)	±1	±2	±3	±4	±5	±6								
CABLE(Flexible)	0~+5		0~+10				0~L*0.01							
CABLE(Signal)	+10			+20			+50							

No.	Revision	Date	Name
△	PN Change from 1M-111-00	05/11/2013	B.G.YUN
△			

RoHS Compliant



MCX STRAIGHT PLUG
for Cable-RG316S,174,188

Item	Materials	Plating
Body	Brass	Gold Plated
Outner contact	Be-Cu	Gold Plated
Center contact	Brass	Gold Plated
Ferrule	Brass	Gold Plated
Insulator	TEFLON	-

NO.	DESCRIPTION	Q'TY	MATERIAL	FINISH	REMARKS.
PARTS No.	MCX-111-001	NAME	MCX-SP 316		APPROVED
MATERIAL	FINISH				CHECKED
		SCALE	UNIT		DESIGNED
			mm		S.J.LEE
		DWG NO.	MCX-111-001		DATE.
					28/MAR/2007

CUSTOMER