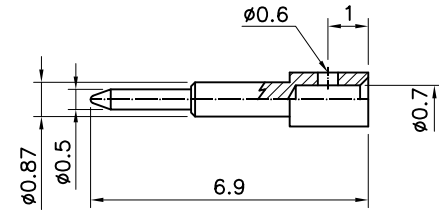
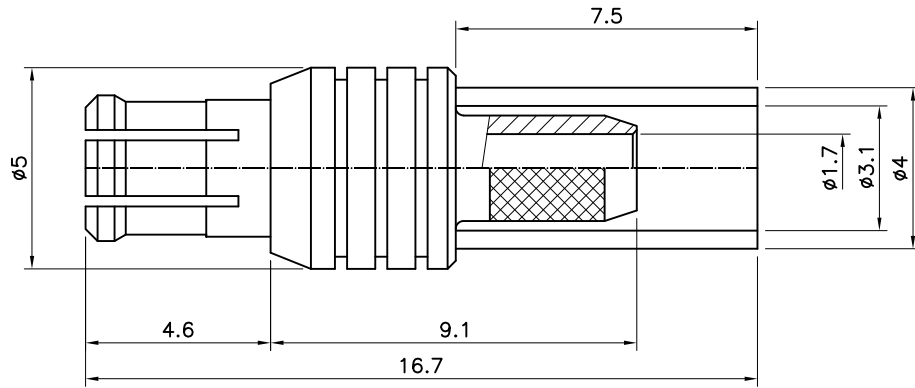
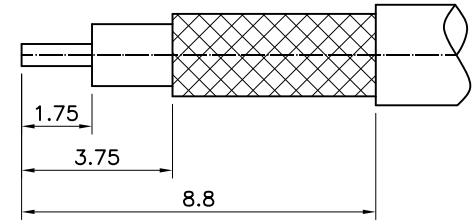


No.	Revision	Date	Name
①	PN Change from 1M-111-NM00	09/07/2013	B.G.YUN
②	Length Change from 9.6 to 9.1	25/07/2013	S.J.PARK
③	Length Change from 16.6 to 16.7	25/07/2013	S.J.PARK

RoHS Compliant



CENTER CONTACT



RECOMMENDED CABLE STRIPPING DIM'S

Recommended Crimp DIES : HEX3.3

MCX STRAIGHT PLUG
for Cable-RG316/S
(NON-MAGNETIC)

Item	Materials	Plating
Body	Brass	Gold Plated
Outner contact	Be-Cu	Gold Plated
Center contact	Be-Cu	Gold Plated
Ferrule	Brass	Gold Plated
Insulator	TEFLON	-

CUSTOMER

NO.	DESCRIPTION	Q'TY	MATERIAL	FINISH	REMARKS.
PARTS No.	MCX-111-005	NAME	MCX-SP 316		APPROVED
MATERIAL	FINISH	TOLERANCES OTHERWISE SPEC. ±0.05		ANGLES ±1°	CHECKED
SCALE		UNIT	mm		DESIGNED S.J.LEE
DONGJIN TI.		DWG NO.	MCX-111-005		DATE. 28/MAR/2007