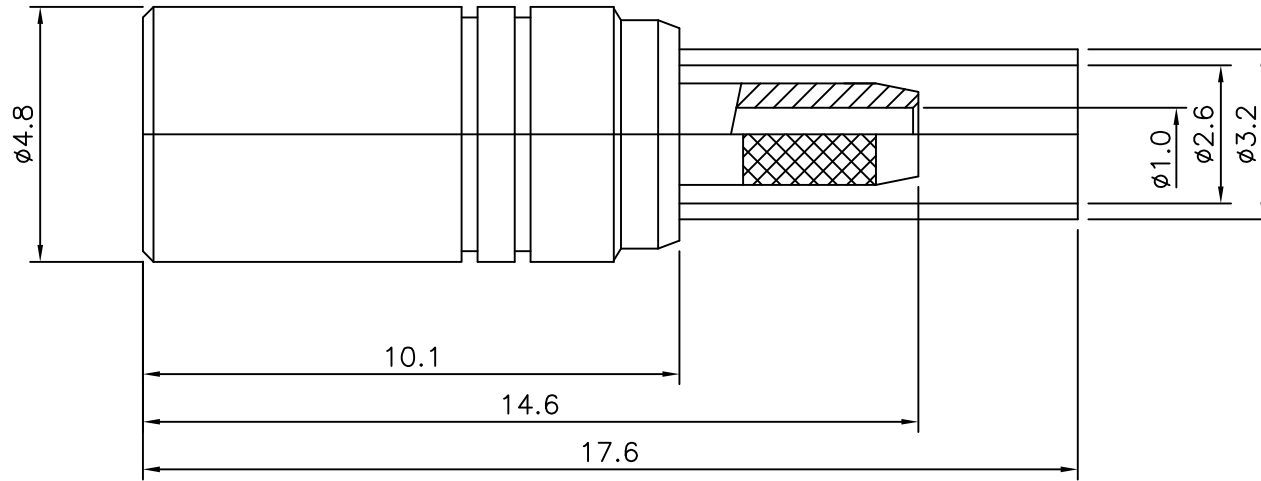


No.	Revision	Date	Name
△	PN Change from 1M-210-00	12/FEB/2014	B.G.YUN
△			

RoHS Compliant



Item	Materials	Plating
Body	Brass	Gold Plated
Center contact	Be-Cu	Gold Plated
Ferrule	Brass	Gold Plated
Insulator	PTFE	-

MCX STRAIGHT JACK
for Cable-RG178

NO.	DESCRIPTION	Q'TY	MATERIAL	FINISH	REMARKS.
PARTS No.	MCX-210-001		NAME	MCX-SJ 178	APPROVED
MATERIAL	FINISH	TOLERANCES OTHERWISE SPEC. ±0.05		ANGLES ±1°	CHECKED
<i>CUSTOMER</i>		SCALE	UNIT mm		DESIGNED S.J.LEE
DONGJIN TI.		DWG NO.		MCX-210-001	DATE. 28/MAR/2007