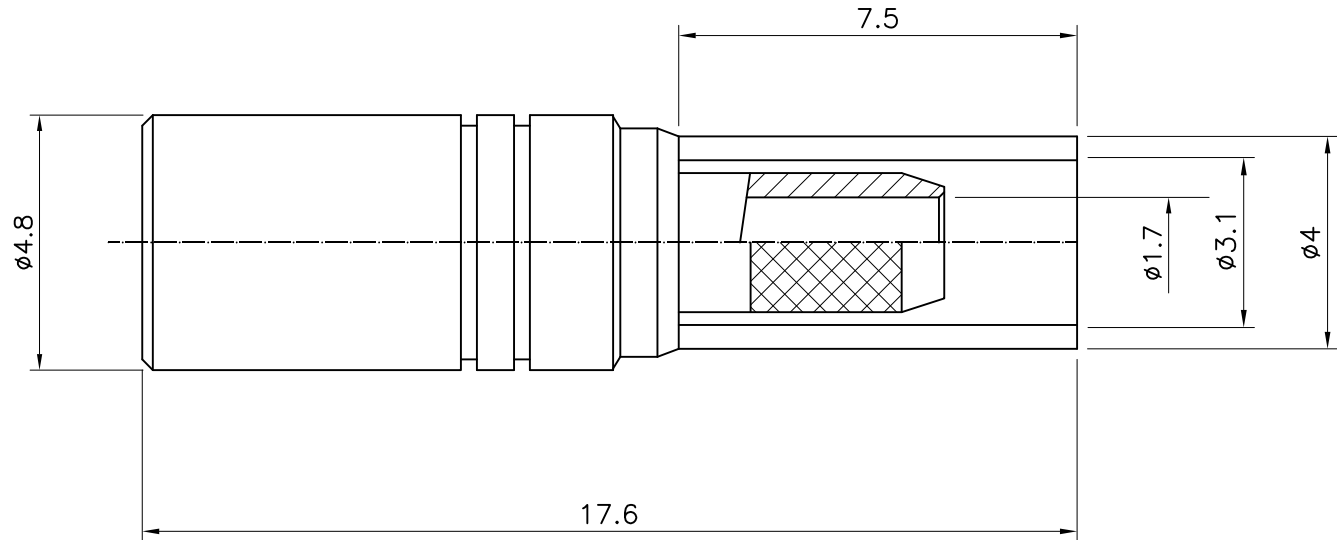


4	5	6	
No.	Revision	Date	Name
△	PN Change from 1M-211-00	08/08/2013	B.G.YUN
△			

RoHS Compliant



MCX STRAIGHT JACK
for Cable-RG316

Item	Materials	Plating
Body	Brass	Gold Plated
Center contact	Be-Cu	Gold Plated
Ferrule	Brass	Gold Plated
Insulator	PTFE	-

NO.	DESCRIPTION	Q'TY	MATERIAL	FINISH	REMARKS.
PARTS No.	MCX-211-001	NAME	MCX-SJ-P316		APPROVED
MATERIAL	FINISH	TOLERANCES OTHERWISE SPEC. ±0.05		ANGLES ±1°	CHECKED
SCALE		UNIT	mm		DESIGNED S.J.LEE
DONGJIN TI.		DWG NO.	MCX-211-001		DATE. 28/MAR/2007

CUSTOMER