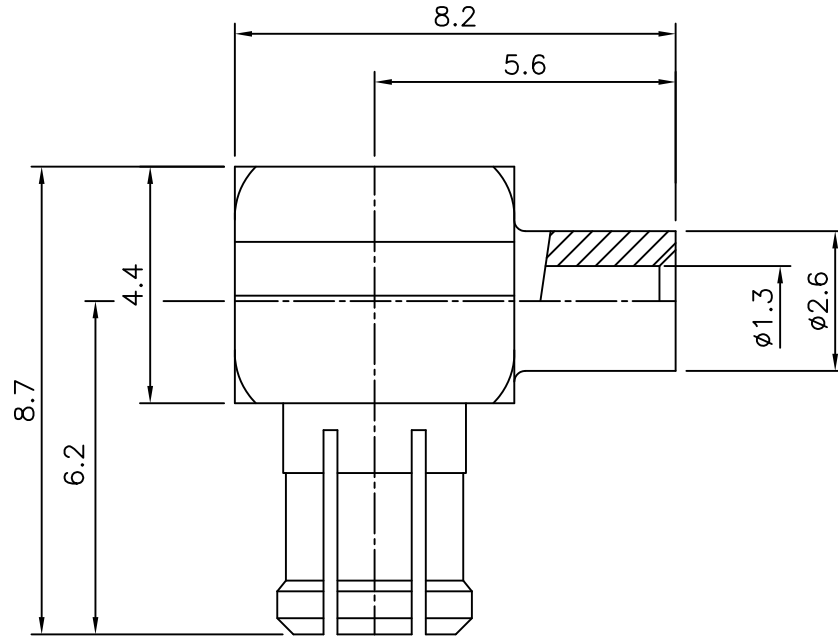


4	5	6	
No.	Revision	Date	Name
1	PN Change from 1M-300-00	12/FEB/2014	S.J.PARK
2			

RoHS Compliant



MCX RIGHT ANGLE PLUG  
for Cable-UT047

Connector parts	Materials	Finish
Body	Brass	Gold Plated
Outer contact	Beryllium copper	Gold Plated
Center contact	Brass	Gold Plated
Insulator	TEFLON	-

NO.	DESCRIPTION	Q'TY	MATERIAL	FINISH	REMARKS.
PARTS No.	MCX-300-001		NAME	MCX-R/A-P047	APPROVED
MATERIAL	FINISH	TOLERANCES OTHERWISE SPEC. ±0.05		ANGLES ±1°	CHECKED
CUSTOMER		SCALE	UNIT mm		DESIGNED S.J.LEE
	DONGJIN TI.	DWG NO.	MCX-300-001	DATE.	2002/4/05