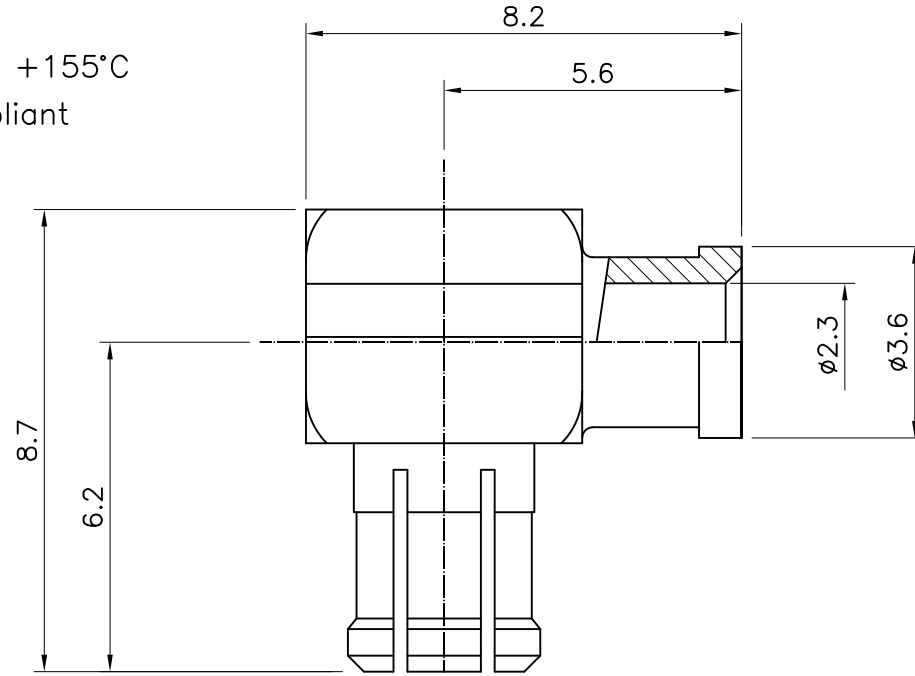


No.	Revision	Date	Name
△	PN Change from 1M-301-00	12/09/2013	B.G.YUN
△			

SPECIFICATIONS

Impedance ; 50ohm
 Frequency ; DC~6GHz
 Temperature range : -55°C to +155°C
 2002/95/EC (RoHS) : Compliant

RoHS Compliant



MCX RIGHT ANGLE PLUG (50 Ohm)
for Cable-UT085

Connector parts	Materials	Finish
Body	Brass	Gold Plated
Outer contact	Be-Cu	Gold Plated
Center contact	Brass	Gold Plated
Insulator	TEFLON	-

CUSTOMER

NO.	DESCRIPTION	Q'TY	MATERIAL	FINISH	REMARKS.
PARTS No.	MCX-301-001		NAME	MCX-R/A-P085	APPROVED
MATERIAL	FINISH	TOLERANCES OTHERWISE SPEC. ±0.05		ANGLES ±1°	CHECKED
		SCALE	UNIT mm		DESIGNED S.J.LEE
		DONGJIN TI.		DWG NO.	MCX-301-001
					DATE. 2002/4/05