

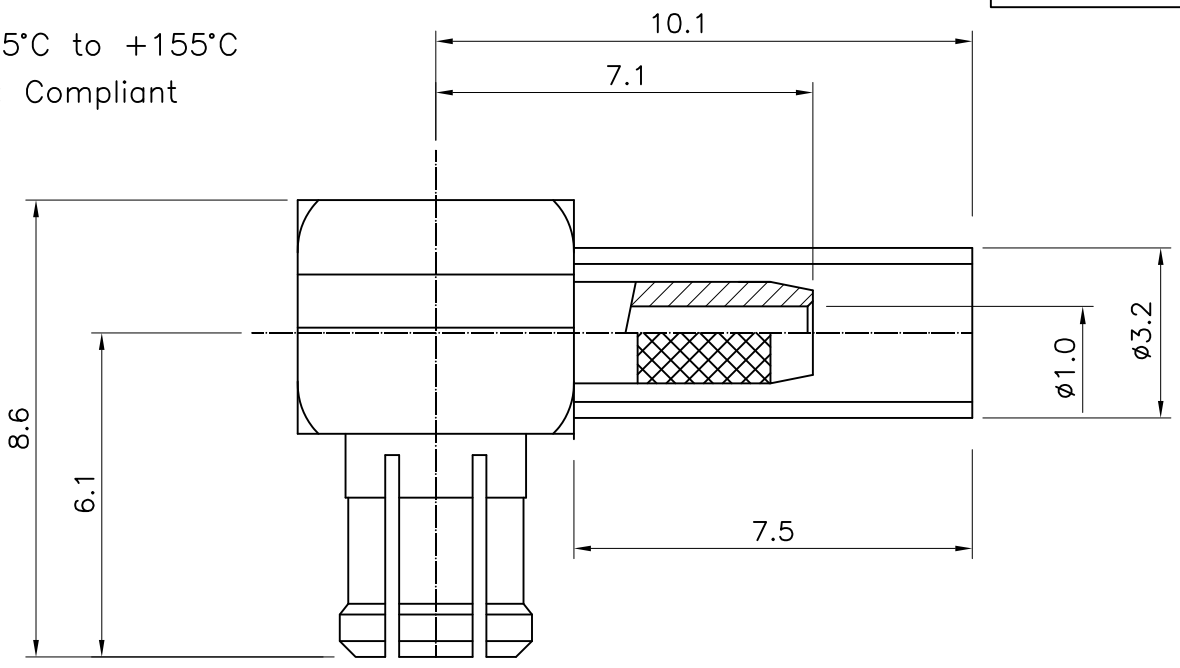
1                      2                      3                      4                      5                      6

No.	Revision	Date	Name
△	PN Change from 1M-310-00	04/09/2013	B.G.YUN
△			

**SPECIFICATIONS**

Impedance ; 50ohm  
 Frequency ; DC~6GHz  
 Temperature range : -55°C to +155°C  
 2002/95/EC (RoHS) : Compliant

RoHS Cimpliant



MCX RIGHT ANGLE PLUG (50 Ohm)  
for Cable-RG178

Item	Materials	Plating
Body	Brass	Gold Plated
Outer contact	Be-Cu	Gold Plated
Center contact	Brass	Gold Plated
Ferrule	Brass	Gold Plated
Insulator	TEFLON	-

NO.	DESCRIPTION	Q'TY	MATERIAL	FINISH	REMARKS.
PARTS No.	MCX-310-001		NAME	MCX-R/A-P178	APPROVED
MATERIAL	FINISH	TOLERANCES OTHERWISE SPEC. ±0.05		ANGLES ±1°	CHECKED
SCALE		UNIT	mm		DESIGNED S.J.LEE
DWG NO.		MCX-310-001		DATE. 10/JUN/2007	

CUSTOMER

