

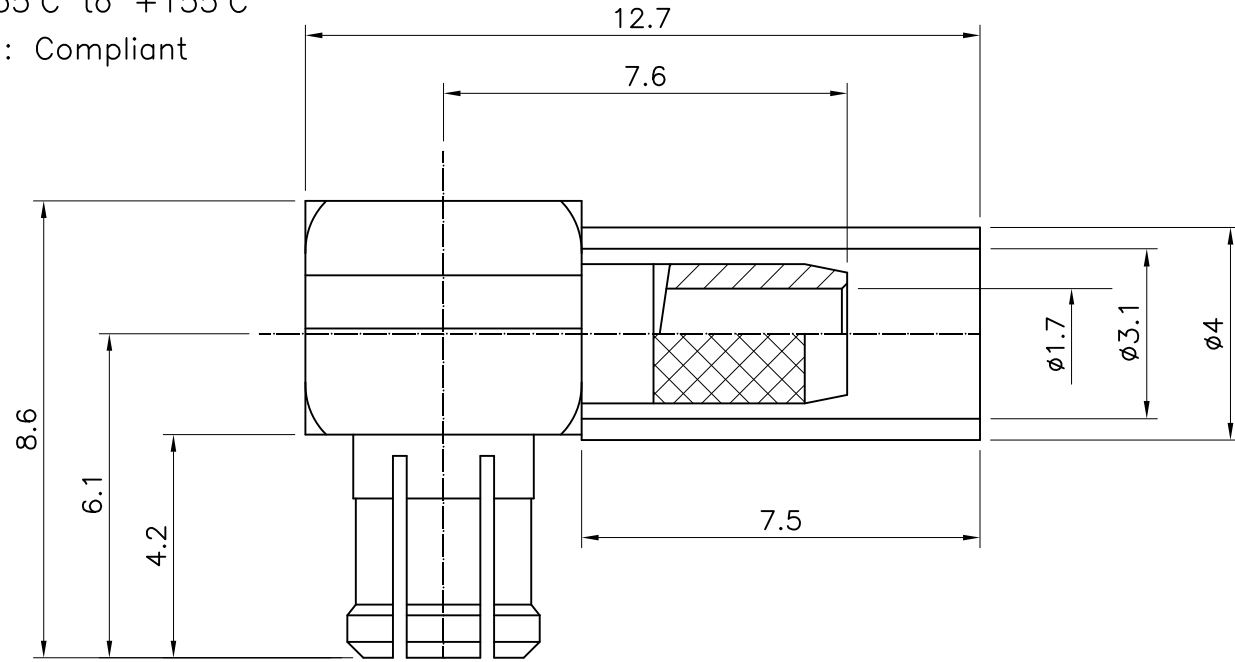
1 2 3 4 5 6

No.	Revision	Date	Name
△	PN Change from 1M-311-00	26/06/2013	B.G.YUN
△			

SPECIFICATIONS

Impedance ; 50ohm
 Frequency ; DC~6GHz
 Temperature range : -55°C to +155°C
 2002/95/EC (RoHS) : Compliant

RoHS Compliant



MCX RIGHT ANGLE PLUG (50 Ohm)
for Cable-RG316

Item	Materials	Plating
Body	Brass	Gold Plated
Outner contact	Be-Cu	Gold Plated
Center contact	Brass	Gold Plated
Ferrule	Brass	Gold Plated
Insulator	TEFLON	-

NO.	DESCRIPTION	Q'TY	MATERIAL	FINISH	REMARKS.
PARTS No.	MCX-311-001		NAME	MCX-R/A-P316	APPROVED
MATERIAL	FINISH	TOLERANCES OTHERWISE SPEC. ±0.05		ANGLES ±1°	CHECKED
SCALE		UNIT	mm		DESIGNED S.J.LEE
DWG NO.		MCX-311-001		DATE. 05/APR/2006	

CUSTOMER

