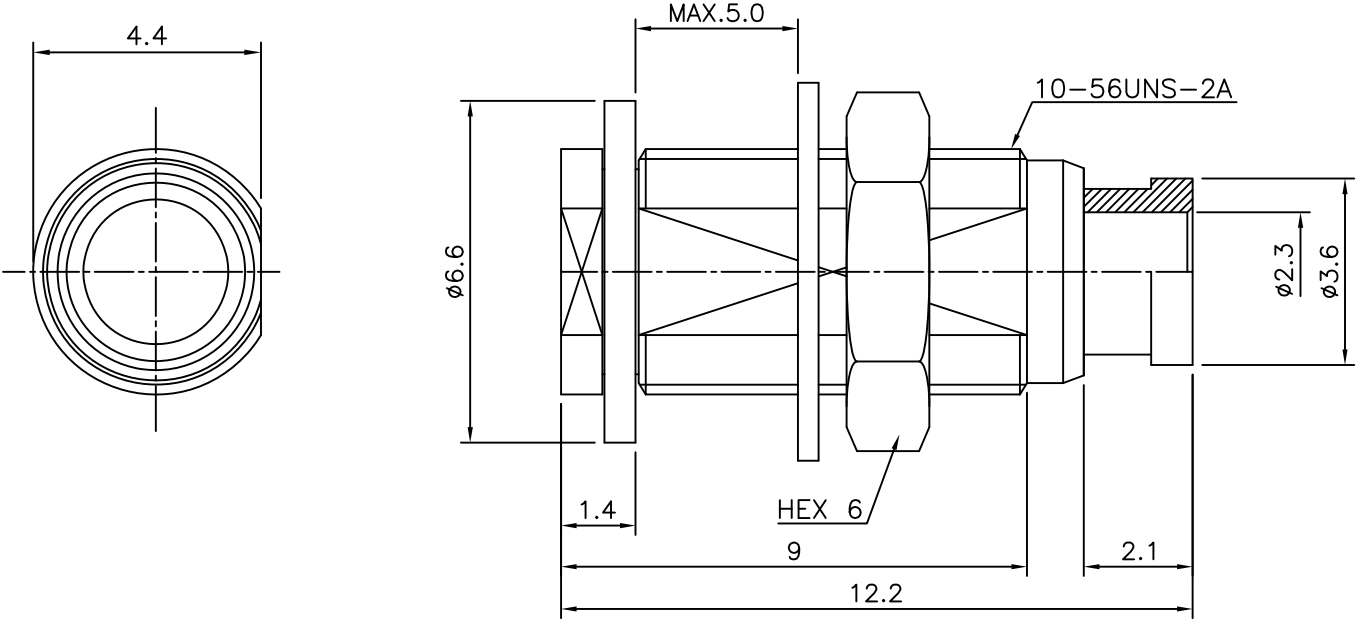


| | | | | | |
|---|-----|--------------------------|---|-------------|----------|
| 4 | No. | Revision | 5 | Date | 6 |
| | △ | PN Change from 1M-401-00 | | 12/FEB/2014 | S.J.PARK |
| | △ | | | | |

RoHS Compliant



MCX BULKHEAD JACK
Front Mount for Cable-UT085

| | | |
|-----------------|-----------|-------------|
| Item | Materials | Plating |
| Body,Nut,Washer | Brass | Gold Plated |
| Center contact | Be-Cu | Gold Plated |
| Insulator | PTFE | - |

| | | | | | |
|-------------|-------------|-------------------------------------|------------|-------------|---------------------|
| NO. | DESCRIPTION | Q'TY | MATERIAL | FINISH | REMARKS. |
| PARTS No. | MCX-401-001 | | NAME | MCX-BJ 085 | APPROVED |
| MATERIAL | FINISH | TOLERANCES OTHERWISE SPEC. ±0.05 | | ANGLES ±1° | CHECKED |
| CUSTOMER | | SCALE | UNIT mm | | DESIGNED S.J.LEE |
| DONGJIN TI. | | DWG NO. | | MCX-401-001 | DATE. 2004.04.05 |