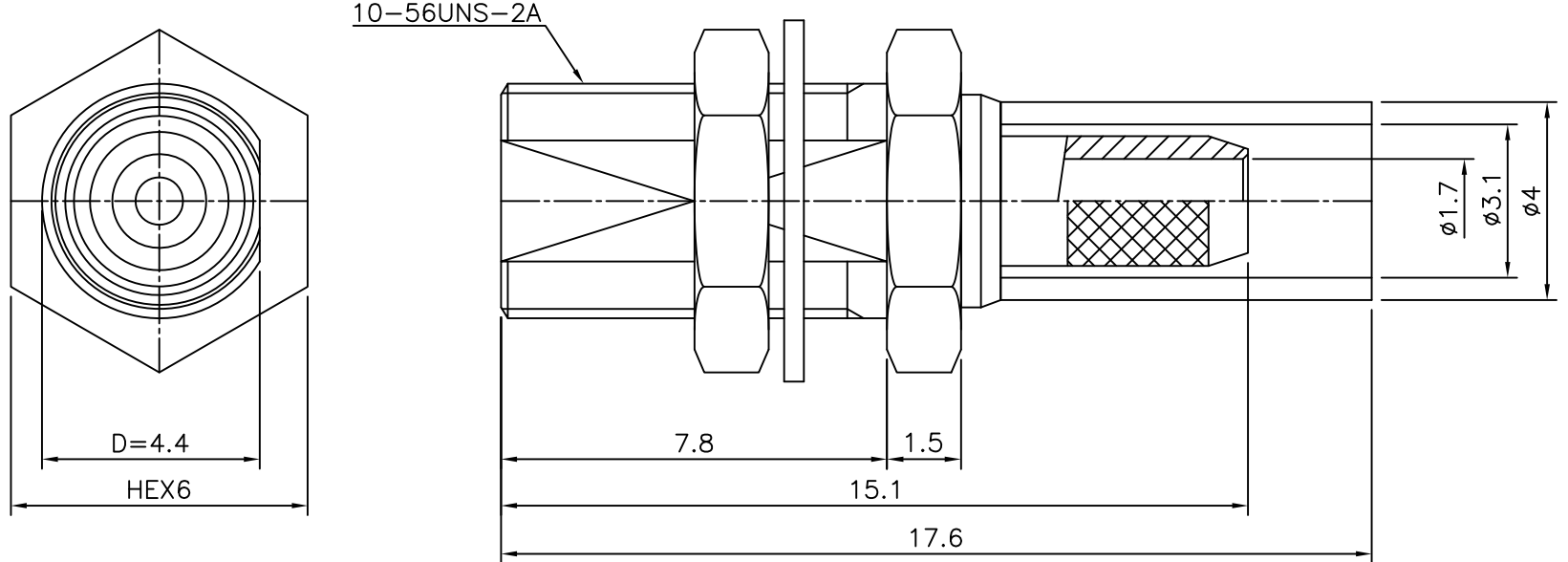


4	No.	Revision	5	Date	6	Name
	△	PN Change from 1M-411-R316		12/FEB/2014		S.J.PARK
	△					

RoHS Compliant



MCX BULKHEAD JACK  
Rear Mount for Cable-RG316

Item	Materials	Plating
Body,Nut,Washer	Brass	Gold Plated
Center contact	Be-Cu	Gold Plated
Insulator	PTFE	-

CUSTOMER

NO.	DESCRIPTION	Q'TY	MATERIAL	FINISH	REMARKS.
PARTS No.	MCX-411-002		NAME	MCX-BJ 316	APPROVED
MATERIAL	FINISH	TOLERANCES OTHERWISE SPEC. ±0.05		ANGLES ±1°	CHECKED
SCALE		UNIT	mm		DESIGNED S.J.LEE
DWG NO.		MCX-411-002		DATE. 2004.04.05	

