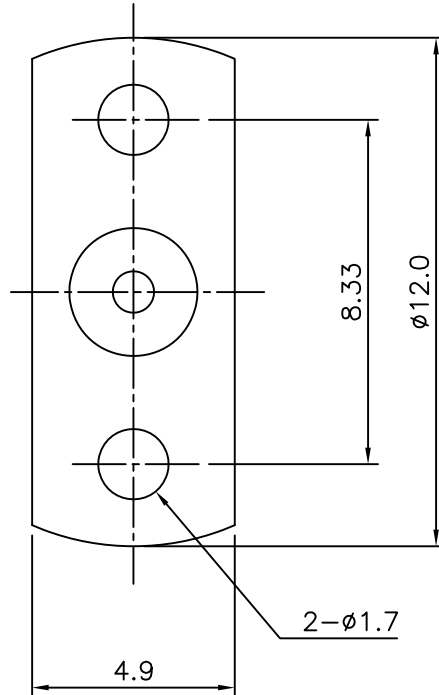
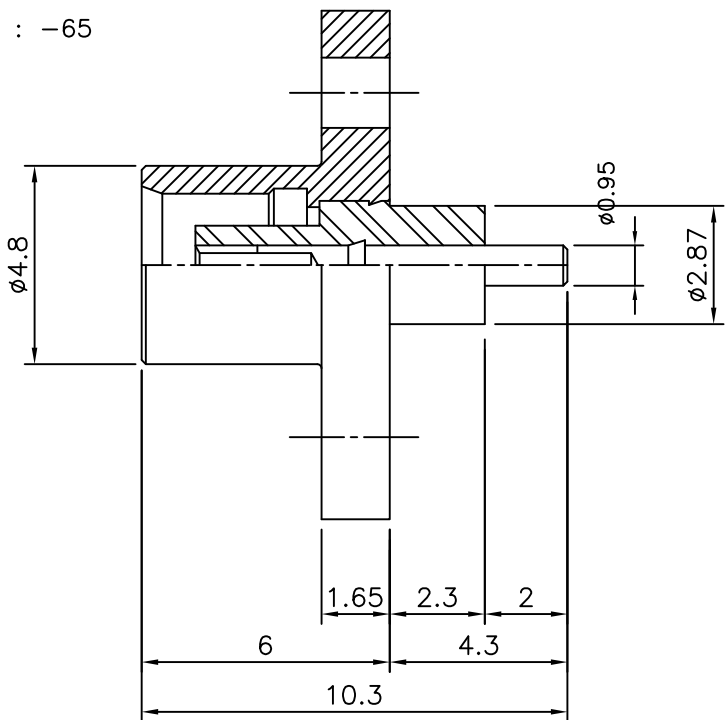


1 2 3 4 5 6

No.	Revision	Date	Name
△	PN Change from 1M-504-S2320	11/JUL/2014	S.J.PARK
△			

Electrical Data  
 Impedance : 50 OHm  
 Frequency range : DC~6 GHz  
 Contact current : DC 1.5A MAX.  
 Working voltage : 335V RMS  
 V.S.W.R : ≤1.20  
 Temperature range : -65

RoHS Compliant



MCX 2-Hole Flange Mount jack Receptacle (50 Ohm)

Item	Materials	Plating
Body	Brass	Gold Plated
Center contact	Be-Cu	Gold Plated
Insulator	PTFE	-

NO.	DESCRIPTION	Q'TY	MATERIAL	FINISH	REMARKS.
PARTS No.	MCX-502-004	NAME	MCX-SJ-PCB		APPROVED
MATERIAL	FINISH	TOLERANCES OTHERWISE SPEC. ±0.05		ANGLES ±1°	CHECKED
SCALE		UNIT	mm		DESIGNED S.J.LEE
DWG NO.		MCX-502-004		DATE.	25/JAN/2007

CUSTOMER



D  
C  
B  
A