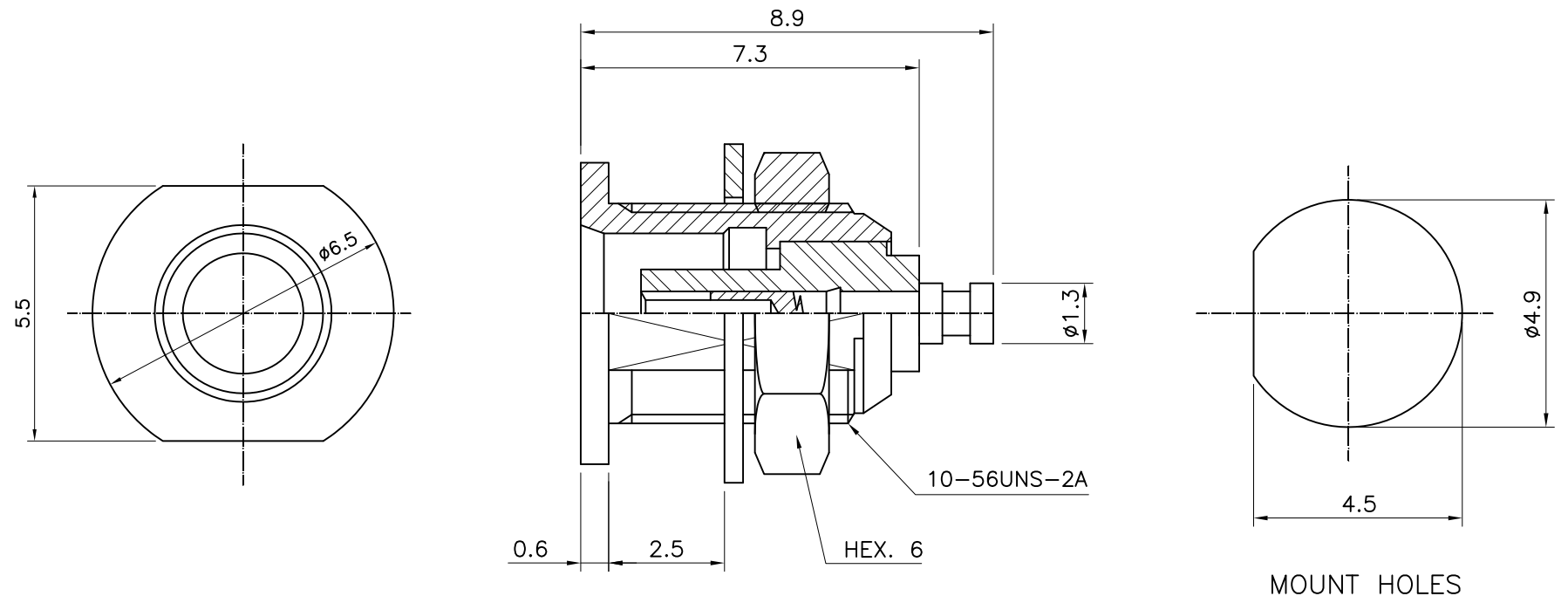


No.	Revision	Date	Name
△	PN Change from 1M-601-00	14/08/2013	B.G.YUN
△			

RoHS Compliant



MOUNT HOLES

MCX Bulkhead JACK-Receptacle

Item	Materials	Plating
Body	Brass	Gold Plated
Center contact	Be-Cu	Gold Plated
Insulator	PTFE	-
Nut,Washer	Brass	Gold Plated

CUSTOMER

NO.	DESCRIPTION	Q'TY	MATERIAL	FINISH	REMARKS.
PARTS No.	MCX-506-001		NAME	MCX-B/H-J-Recep.	APPROVED
MATERIAL	FINISH	TOLERANCES OTHERWISE SPEC. ± 0.05		ANGLES $\pm 1^\circ$	CHECKED
SCALE		UNIT	mm		DESIGNED S.J.LEE
DWG NO.		MCX-506-001			DATE. 28/MAR/2007

