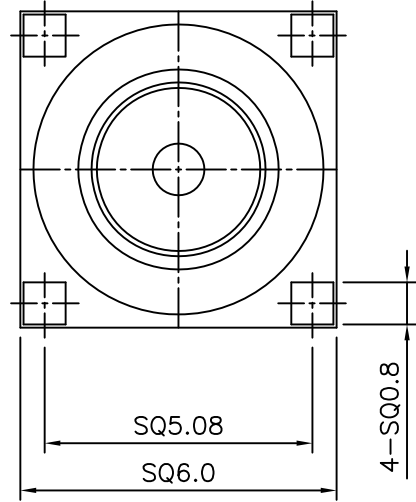
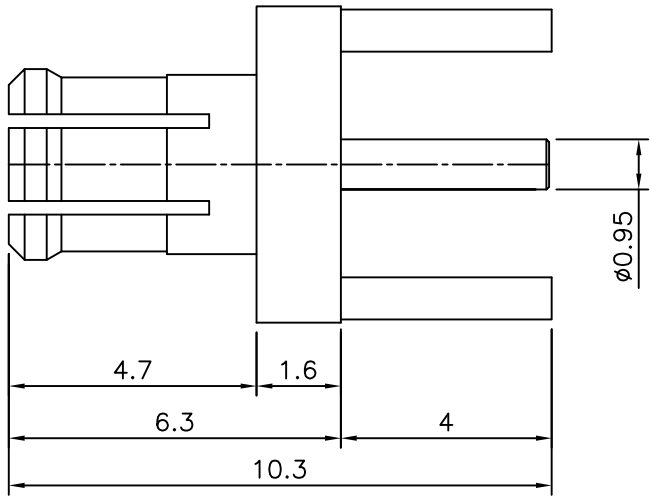


4	5	6	
No.	Revision	Date	Name
△1	PN Change from 1M-541-00	12/FEB/2014	S.J.PARK
△			

RoHS Compliant



Item	Materials	Plating
Body	Brass	Gold Plated
Center contact	Brass	Gold Plated
Insulator	PTFE	-

MCX Straight PLUG PCB

NO.	DESCRIPTION	Q'TY	MATERIAL	FINISH	REMARKS.
PARTS No.	MCX-601-001	NAME	MCX-SP PCB		APPROVED
MATERIAL	FINISH	TOLERANCES OTHERWISE SPEC. ±0.05		ANGLES ±1°	CHECKED
CUSTOMER		SCALE	UNIT mm		DESIGNED S.J.LEE
		DWG NO. MCX-601-001		DATE. 2004.04.05	