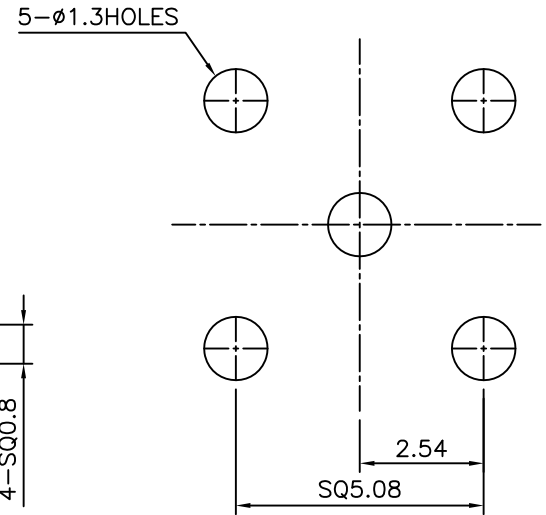
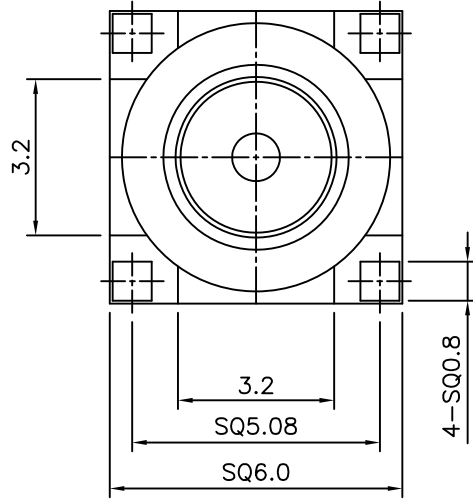
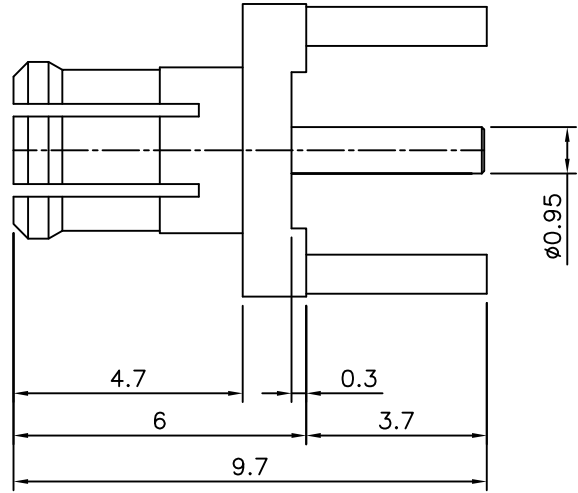


4	No.	Revision	5	Date	6
	△	PN Change from 1M-541-01		12/FEB/2014	S.J.PARK
	△				

RoHS Compliant



Item	Materials	Plating
Body	Brass	Gold Plated
Center contact	Brass	Gold Plated
Insulator	PTFE	-

MCX Straight PLUG PCB

NO.	DESCRIPTION	Q'TY	MATERIAL	FINISH	REMARKS.
PARTS No.	MCX-601-002	NAME	MCX-SP PCB		APPROVED
MATERIAL	FINISH	TOLERANCES OTHERWISE SPEC. \pm 0.05		ANGLES \pm 1°	CHECKED
SCALE		UNIT	mm		DESIGNED S.J.LEE
DWG NO.		MCX-601-002		DATE.	2004.04.05

CUSTOMER

