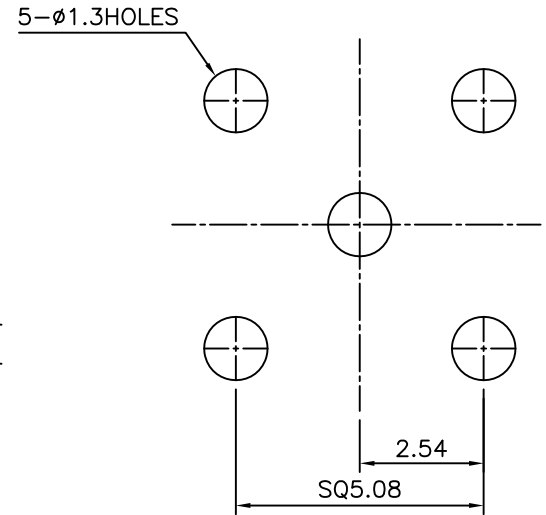
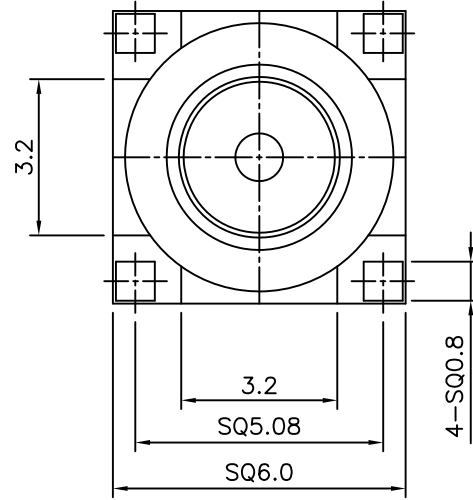
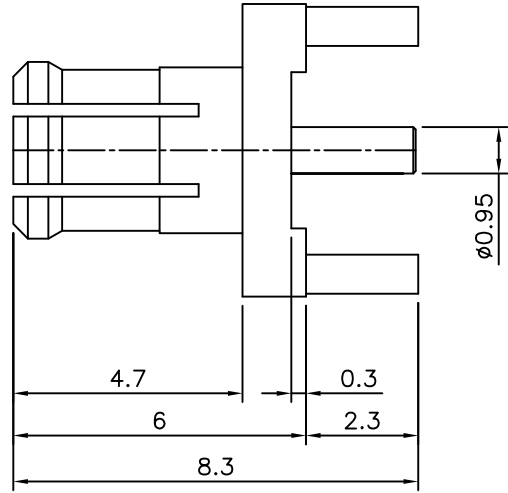


4	No.	Revision	5	Date	6	Name
	▲	PN Change from 1M-541S-01		12/FEB/2014		S.J.PARK
	▲					

RoHS Compliant



Item	Materials	Plating
Body	Brass	Gold Plated
Center contact	Brass	Gold Plated
Insulator	PTFE	-

MCX Straight PLUG PCB

NO.	DESCRIPTION	Q'TY	MATERIAL	FINISH	REMARKS.
PARTS No.	MCX-601-003	NAME	MCX-SP PCB		APPROVED
MATERIAL	FINISH	TOLERANCES OTHERWISE SPEC. ±0.05		ANGLES ±1°	CHECKED
SCALE		UNIT	mm		DESIGNED S.J.LEE
DWG NO.		MCX-601-003		DATE.	2004.04.05

CUSTOMER

