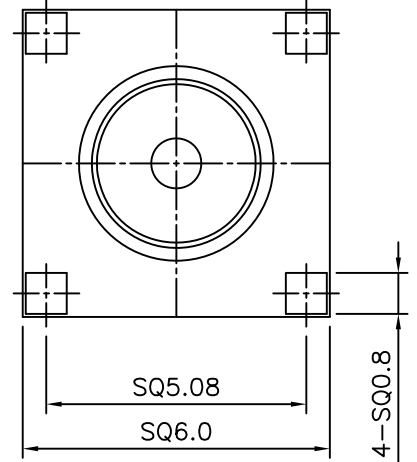
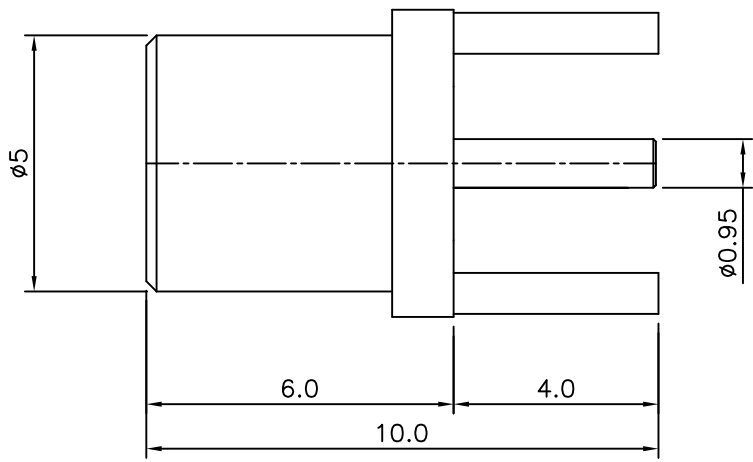


4	5	6
No.	Revision	Date
△	PN Change from 1M-501-00	12/FEB/2014
△		
Name		
S.J.PARK		

RoHS Compliant



Item	Materials	Plating
Body	Brass	Gold Plated
Center contact	Be-Cu	Gold Plated
Insulator	PTFE	-

MCX Straight JACK PCB

NO.	DESCRIPTION	Q'TY	MATERIAL	FINISH	REMARKS.
PARTS No.	MCX-602-001	NAME	MCX-SJ PCB		APPROVED
MATERIAL	FINISH	TOLERANCES OTHERWISE SPEC. ±0.05		ANGLES ±1°	CHECKED
SCALE		UNIT	mm		DESIGNED S.J.LEE
DWG NO.		MCX-602-001		DATE.	2004.04.05

CUSTOMER

