

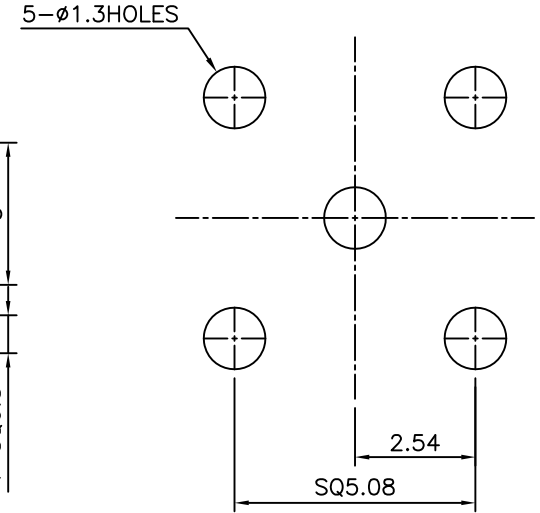
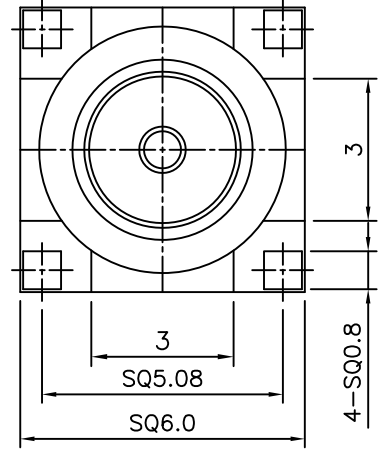
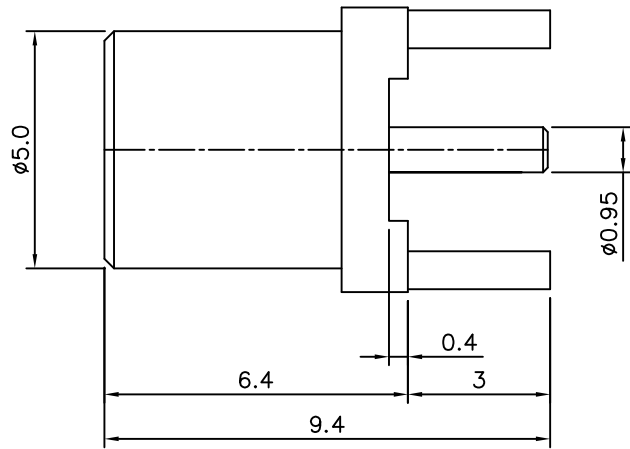
1                      2                      3                      4                      5                      6

No.	Revision	Date	Name
▲	PN Change from 1M-501-940	12/FEB/2014	S.J.PARK
▲			

**Electrical Data**

Impedance : 50Ω  
 Frequency range : DC~6 GHz  
 Contact current : DC 1.5A MAX.  
 Working voltage : 335V RMS  
 V.S.W.R : ≤1.20  
 Temperature range : -65°C~+125°C

RoHS Compliant



PCB MOUNT HOLES

Item	Materials	Plating
Body	Brass	Gold Plated
Center contact	Be-Cu	Gold Plated
Insulator	PTFE	-

MCX Straight JACK PCB

NO.	DESCRIPTION	Q'TY	MATERIAL	FINISH	REMARKS.
PARTS No.	MCX-602-002	NAME	MCX-SJ PCB		APPROVED
MATERIAL	FINISH	TOLERANCES OTHERWISE SPEC. ±0.05		ANGLES ±1°	CHECKED
SCALE		UNIT	mm		DESIGNED S.J.LEE
DWG NO.		MCX-602-002		DATE.	2004.04.05

CUSTOMER

