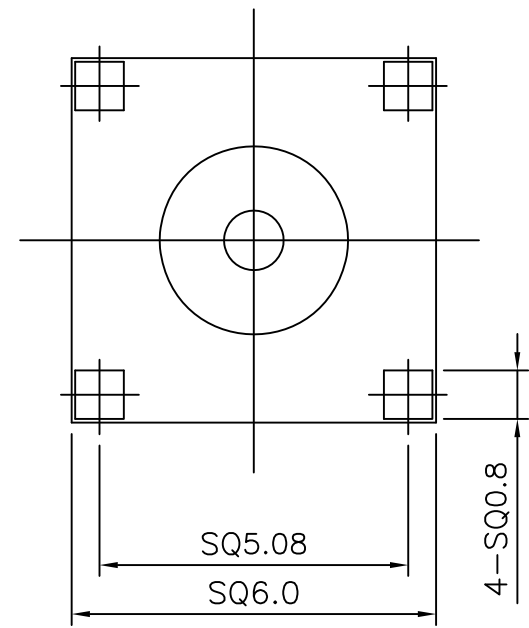
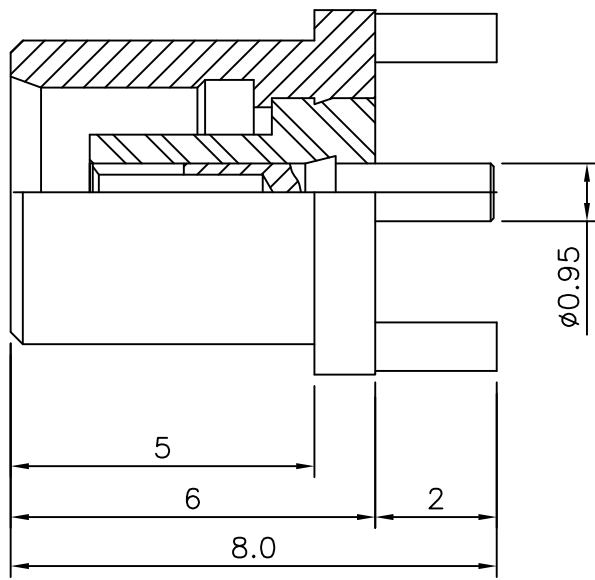


4	5	6	
No.	Revision	Date	Name
△	PN Change from 1M-501-NM6020	26/07/2013	B.G.YUN
△			

RoHS Compliant



Item	Materials	Plating
Body	Brass	Gold Plated
Center contact	Beryllium copper	Gold Plated
Insulator	PTFE	-

MCX - Straight-JACK(50 Ohm)
(NON-MAGNETIC)

NO.	DESCRIPTION	Q'TY	MATERIAL	FINISH	REMARKS.
PARTS No.	MCX-602-025	NAME	MCX-SJ-PCB		APPROVED
MATERIAL	FINISH	TOLERANCES OTHERWISE SPEC. ± 0.05		ANGLES $\pm 1^\circ$	CHECKED
SCALE		UNIT	mm		DESIGNED S.J.LEE
DWG NO.		MCX-602-025		DATE.	30/MAR/2009

CUSTOMER

