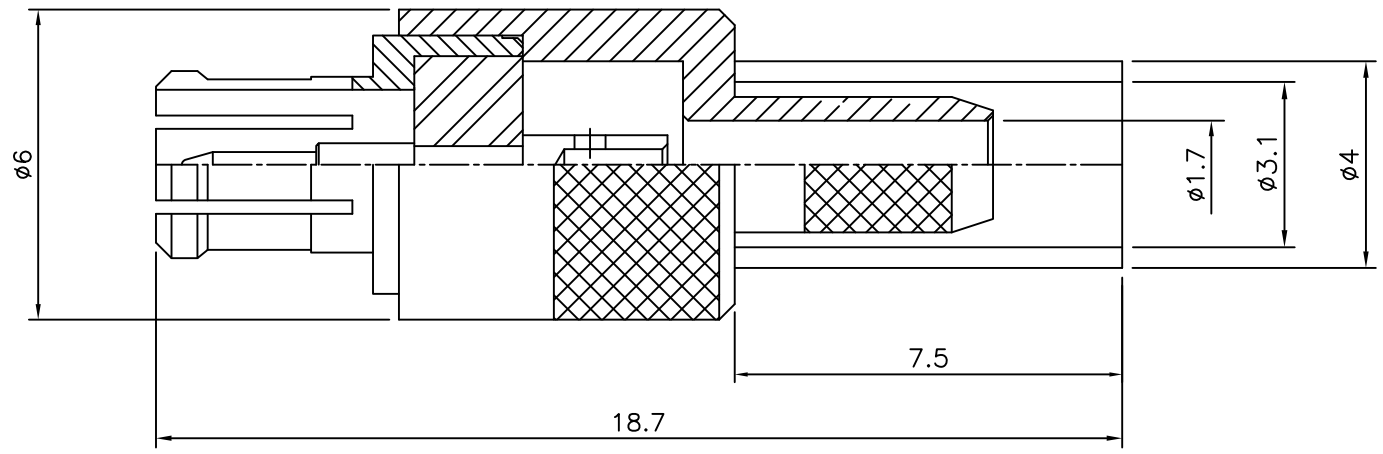


4	No.	Revision	Date	Name
	△	PN Change from 1M75-111-00	02/12/2013	B.G.YUN
	△			

RoHS Compliant



MCX STRAIGHT PLUG (75 Ohm)  
for Cable-RG179

Item	Materials	Plating
Body	Brass	Nickel Plated
Outer contact	Be-Cu	Gold Plated
Center contact	Brass	Gold Plated
Ferrule	Brass	Nickel Plated
Insulator	TEFLON	-

**CUSTOMER**

NO.	DESCRIPTION	Q'TY	MATERIAL	FINISH	REMARKS.
PARTS No.	MCX75-111-004		NAME	MCX-SP179(75OHm)	APPROVED
MATERIAL	FINISH	TOLERANCES OTHERWISE SPEC. ±0.05		ANGLES ±1°	CHECKED
		SCALE	UNIT mm		DESIGNED S.J.LEE
		DWG NO. MCX75-111-004		DATE.	05/APR/2005