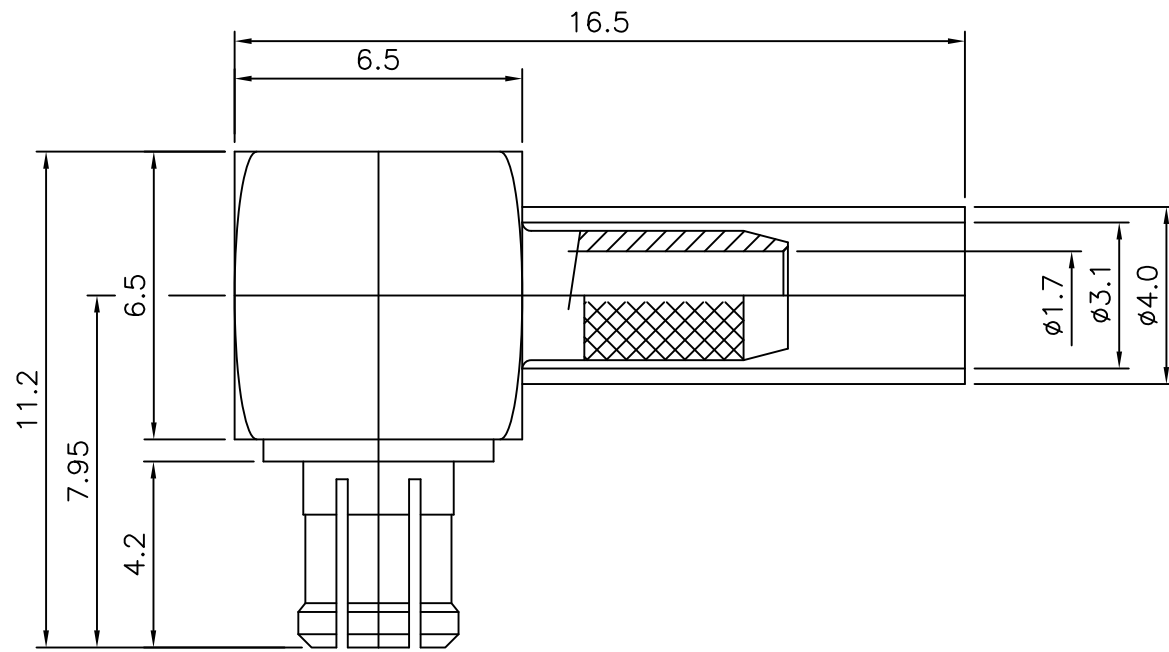


4	5	6	
No.	Revision	Date	Name
△	PN Change from 1M75-311-00	13/FEB/2014	S.J.PARK
△			

RoHS Compliant



MCX RIGHT ANGLE PLUG (75 Ohm)
for Cable-RG179

Parts	Materials	Plating
Body	Brass	Nickel Plated
Outer contact	Be-Cu	Gold Plated
Center contact	Brass	Gold Plated
Ferrule	Brass	Nickel Plated
Insulator	TEFLON	-

CUSTOMER

NO.	DESCRIPTION	Q'TY	MATERIAL	FINISH	REMARKS.
PARTS No.	MCX75-311-001		NAME	MCX-LP RG179	APPROVED
MATERIAL	FINISH	TOLERANCES			CHECKED
		OTHERWISE SPEC. ±0.05		ANGLES ±1°	
		SCALE	UNIT		DESIGNED
			mm		S.J.LEE
		DWG NO.	MCX75-311-001		DATE.
					04/DEC/2009

