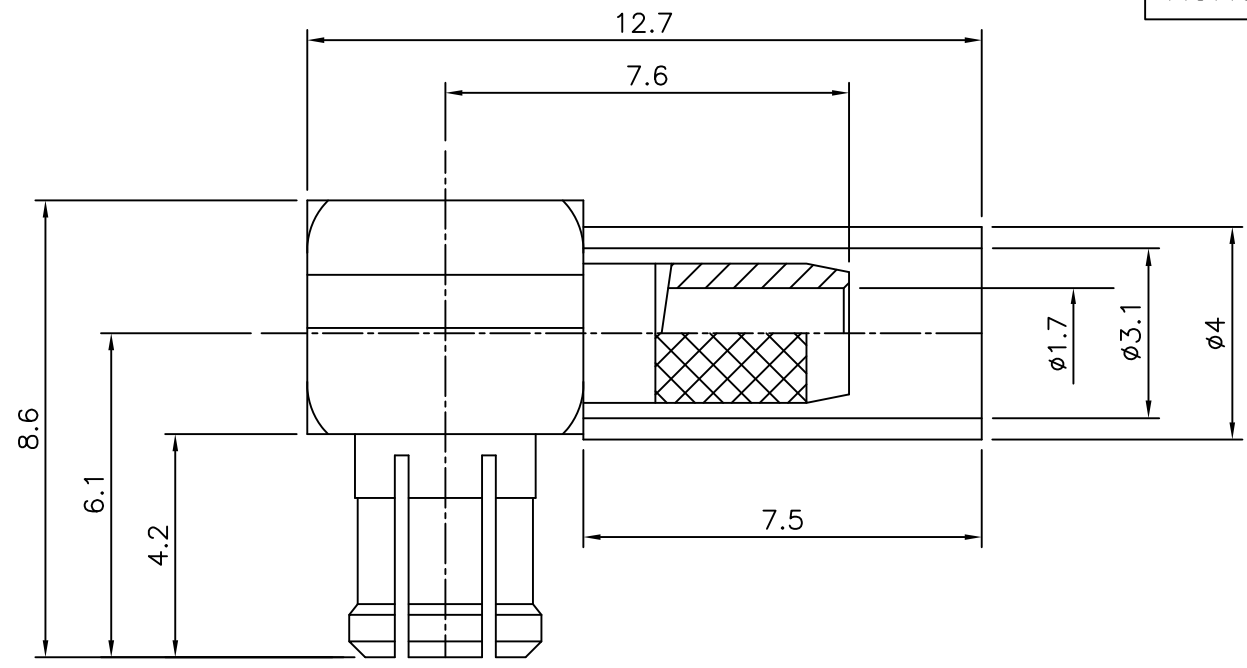


4	No.	Revision	Date	Name
	△	PN Change from 1M75-311-03	03/07/2013	B.G.YUN
	△			

RoHS Compliant



MCX RIGHT ANGLE PLUG (75 Ohm)
for Cable-RG179

Item	Materials	Plating
Body	Brass	Gold Plated
Outner contact	Be-Cu	Gold Plated
Center contact	Brass	Gold Plated
Ferrule	Brass	Gold Plated
Insulator	TEFLON	-

CUSTOMER

NO.	DESCRIPTION	Q'TY	MATERIAL	FINISH	REMARKS.
PARTS No.	1M75-311-03		NAME	MCX-LP179	APPROVED
MATERIAL	FINISH	TOLERANCES OTHERWISE SPEC. ±0.05		ANGLES ±1°	CHECKED
		SCALE	UNIT mm		DESIGNED S.J.LEE
		DWG NO.	MCX75-311-002		DATE. 04/DEC/2009