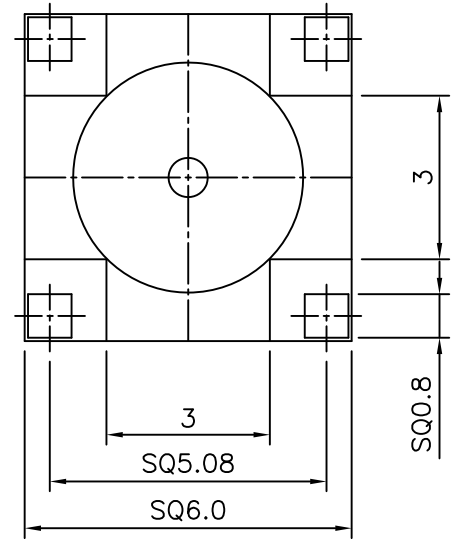
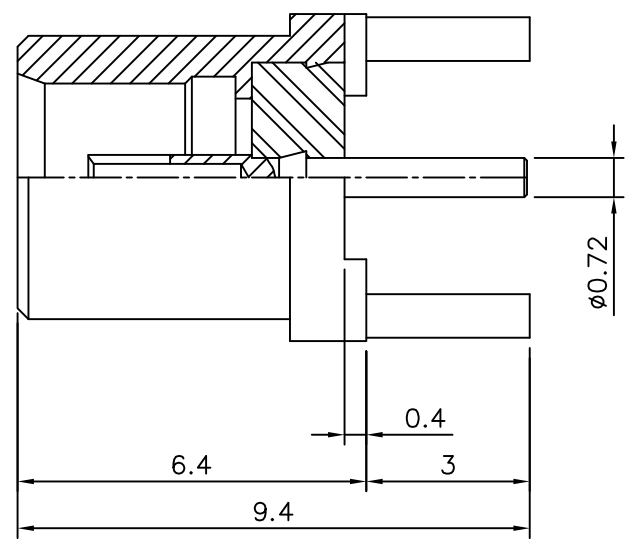


4	5	6	
No.	Revision	Date	Name
△	PN Change from 1M75-501-940	27/JAN/2014	S.J.PARK
△			

RoHS Compliant



Item	Materials	Plating
Body	Brass	Gold Plated
Center contact	Beryllium copper	Gold Plated
Insulator	PTFE	-

MCX Straight-PCB JACK (75 Ohm)

NO.	DESCRIPTION	Q'TY	MATERIAL	FINISH	REMARKS.
PARTS No.	MCX75-602-002	NAME	MCX-SJ-PCB		APPROVED
MATERIAL	FINISH	TOLERANCES OTHERWISE SPEC. ±0.05		ANGLES ±1°	CHECKED
SCALE		UNIT	mm		DESIGNED S.J.LEE
DWG NO.		MCX75-602-002		DATE.	08/MAR/2005

CUSTOMER

