

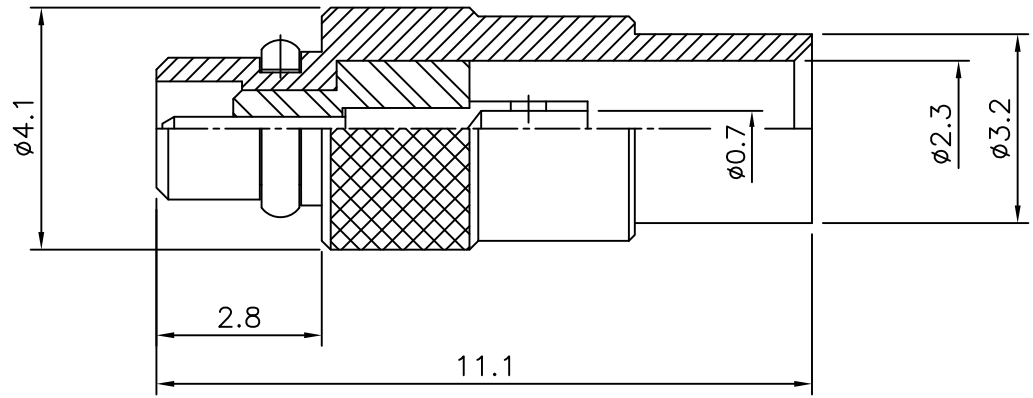
1 2 3 4 5 6

No.	Revision	Date	Name
△	PN Change from 1X-101-00	22/01/2014	B.G.YUN
△			

SPECIFICATIONS

Impedance ; 50Ω
 Freqency range ; DC ~ 6GHz
 Contact current ; DC 1.0A max
 Voltage rating ; 170V rms
 Insulation resistance ; 1000MΩ min.
 V.S.W.R ; ≤1.2 at 6GHz
 Temperature range ; -55°C to +155°C

RoHS Compliant



MMCX-Straight-PLUG
for Cable-UT086

Item	Materials	Plating
Body	Brass	Gold Plated
C-Ring	Beryllium copper	Gold Plated
Center contact	Brass	Gold Plated
Insulator	PTFE	-

CUSTOMER

NO.	DESCRIPTION	Q'TY	MATERIAL	FINISH	REMARKS.
PARTS No.	MMCX-101-001	NAME	MMCX-SP 086		APPROVED
MATERIAL	FINISH	TOLERANCES OTHERWISE SPEC. ±0.05		ANGLES ±1°	CHECKED
SCALE		UNIT	mm		DESIGNED S.J.LEE
DONGJIN TI.		DWG NO.	MMCX-101-001		DATE. 30/MAR/2009

D
C
B
A