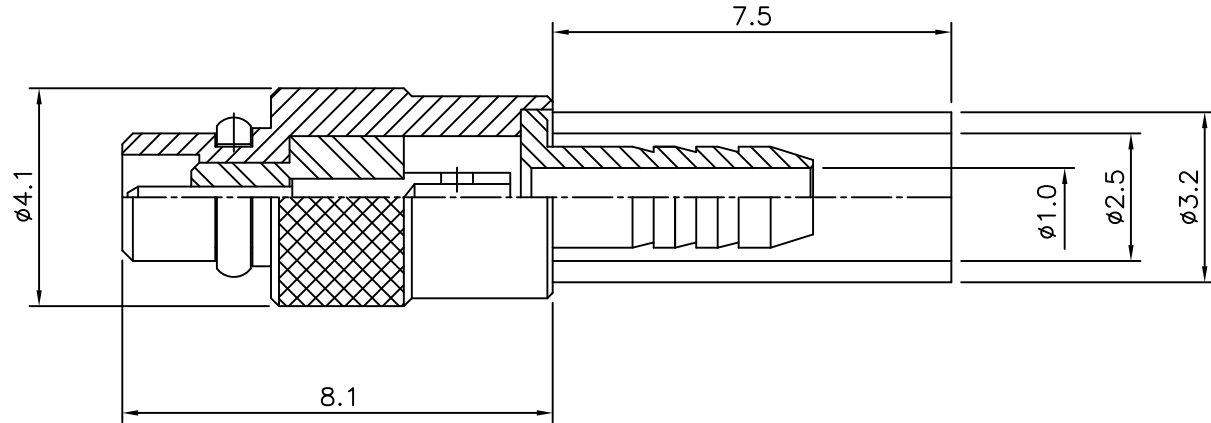


4	5	6	
No.	Revision	Date	Name
△	PN Change from 1X-110-00	09/01/2014	B.G.YUN
△			

SPECIFICATIONS

Impedance ; 50ohm
 Frequency range ; DC~6GHz
 V.S.W.R : 1.3:1max @6GHz
 Working voltage : 170 VRMS
 Temperature range : -55°C to +155°C

RoHS Compliant



MMCX Straight PLUG
 -RG178

Item	Materials	Plating
Body	Brass	Gold Plated
C-Ring	Be-Cu	Gold Plated
Center contact	Brass	Gold Plated
Ferrule	Brass	Gold Plated
Insulator	PTFE	-

NO.	DESCRIPTION	Q'TY	MATERIAL	FINISH	REMARKS.
PARTS No.	MMCX-110-001		NAME	MMCX-ST-P178	APPROVED
MATERIAL	FINISH	TOLERANCES OTHERWISE SPEC. ±0.05		ANGLES ±1°	CHECKED
SCALE		UNIT	mm		DESIGNED S.J.LEE
DWG NO.		MMCX-110-001		DATE. 02/SEP/2008	

CUSTOMER

