

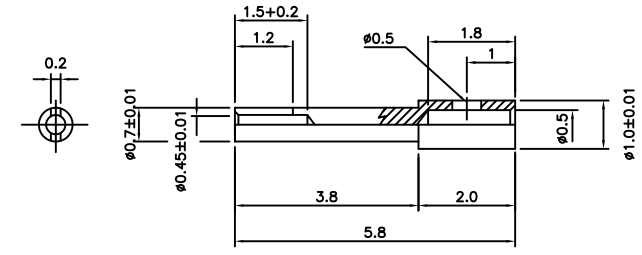
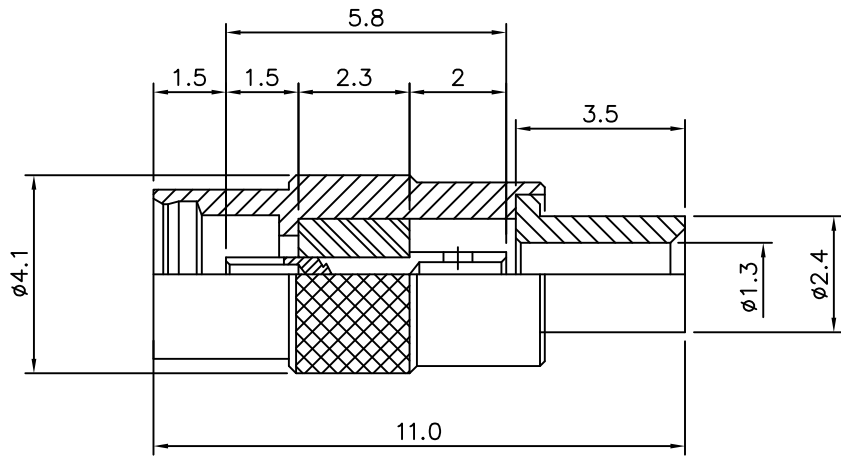
1 2 3 4 5 6

No.	Revision	Date	Name
△	PN Change from 1X-200-00	12/FEB/2014	S.J.PARK
△			

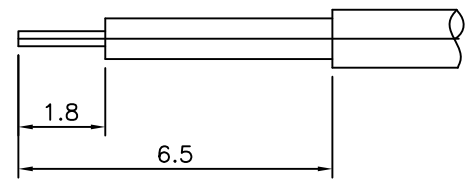
SPECIFICATIONS

Impedance ; 50ohm
 Frequency ; DC~6GHz
 Temperature range : -55°C to +155°C
 2002/95/EC (RoHS) : Compliant

RoHS Compliant



CENTER CONTACT



RECOMMENDED CABLE STRIPPING DIM'S

Item	Materials	Plating
Body	Brass	Gold Plated
Center contact	Beryllium copper	Gold Plated
Insulator	PTFE	-

MMCX-Straight-JACK
for Cable-UT047

NO.	DESCRIPTION	Q'TY	MATERIAL	FINISH	REMARKS.
PARTS No. MMCX-200-001		NAME MMCX-SJ 047		APPROVED	
MATERIAL		FINISH		TOLERANCES OTHERWISE SPEC. ±0.05 ANGLES ±1°	
		SCALE		UNIT mm	DESIGNED S.J.LEE
		DWG NO. MMCX-200-001		DATE. 30/MAR/2009	

CUSTOMER

