

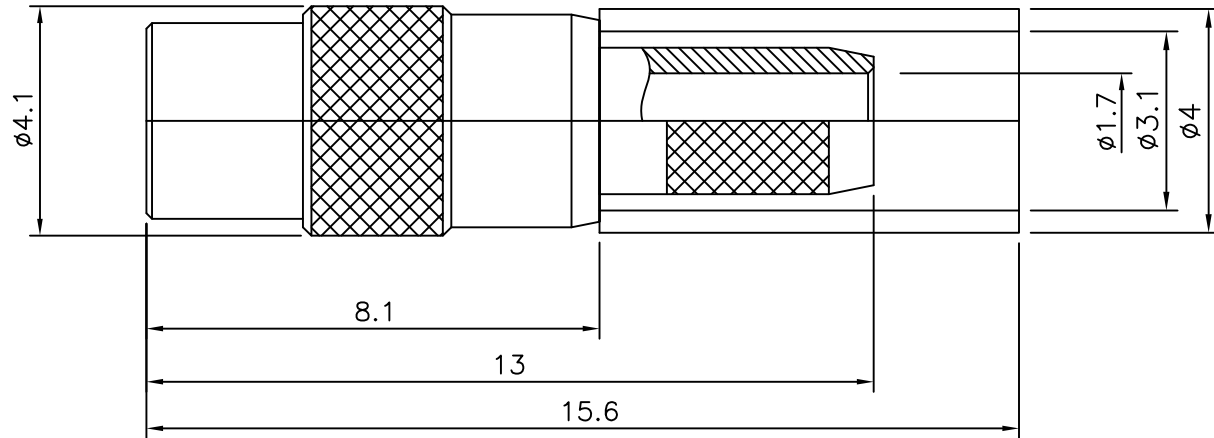
1 2 3 4 5 6

SPECIFICATIONS

Impedance ; 50ohm
 Frequency range ; DC~6GHz
 V.S.W.R : 1.3:1max @6GHz
 Working voltage : 170 VRMS
 Temperature range : -55°C to +155°C

No.	Revision	Date	Name
1	PN Change from 1X-211-00	12/FEB/2014	S.J.PARK
2			

RoHS Compliant



MMCX-Straight-JACK
for Cable-RG316

Item	Materials	Plating
Body	Brass	Gold Plated
Center contact	Be-Cu	Gold Plated
Ferrule	Brass	Gold Plated
Insulator	PTFE	-

CUSTOMER

NO.	DESCRIPTION	Q'TY	MATERIAL	FINISH	REMARKS.
PARTS No.	MMCX-211-001		NAME	MMCX-SJ 316	APPROVED
MATERIAL	FINISH	TOLERANCES OTHERWISE SPEC. ±0.05		ANGLES ±1°	CHECKED
SCALE		UNIT	mm		DESIGNED S.J.LEE
DWG NO.		MMCX-211-001		DATE. 02/SEP/2008	

