

1 2 3 4 5 6

No.	Revision	Date	Name
①	PN Change from 1X-300-00	16/OCT/2013	S.J.PARK
②	Length Change from 2.8 to 2.7	16/OCT/2013	S.J.PARK

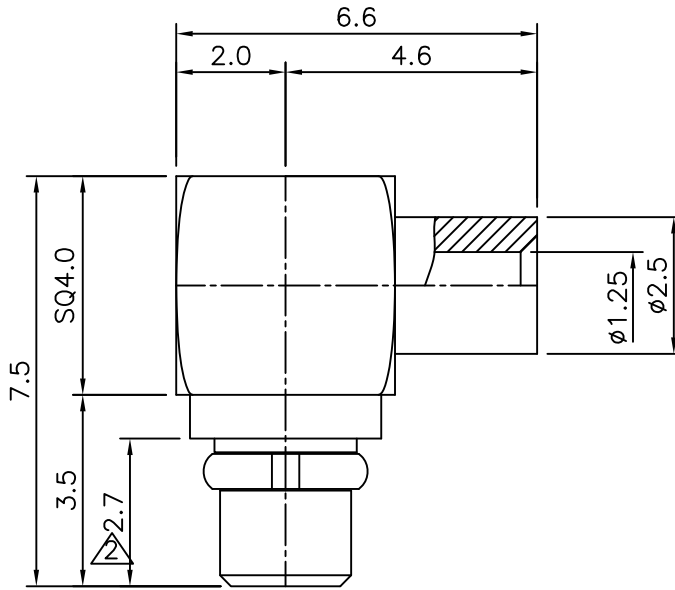
SPECIFICATIONS

Impedance: 50ohm
 Frequency range: DC~6GHz
 Temperature range: -55° to + 155°C
 2002/95/EC (RoHS): Compliant

RoHS Compliant

MECHANICAL SPEC

Engagement force: max. 15N
 Separation force: min. 6N~max. 15N
 Durability: 500 Cycles



MMCX-RIGHT ANGLE PLUG
 FOR UT-047

Item	Materials	Plating
Body	Brass	Gold Plated
C-Ring	Be-Cu	Gold Plated
Center contact	Brass	Gold Plated
Insulator	PTFE	-

NO.	DESCRIPTION	Q'TY	MATERIAL	FINISH	REMARKS.
PARTS No.	MMCX-300-001		NAME	MCX-LP-047	APPROVED
MATERIAL	FINISH	TOLERANCES OTHERWISE SPEC. ±0.05		ANGLES ±1°	CHECKED
SCALE		UNIT	mm		DESIGNED S.J.LEE
DWG NO.		MMCX-300-001		DATE.	18/JUL/2007

CUSTOMER

