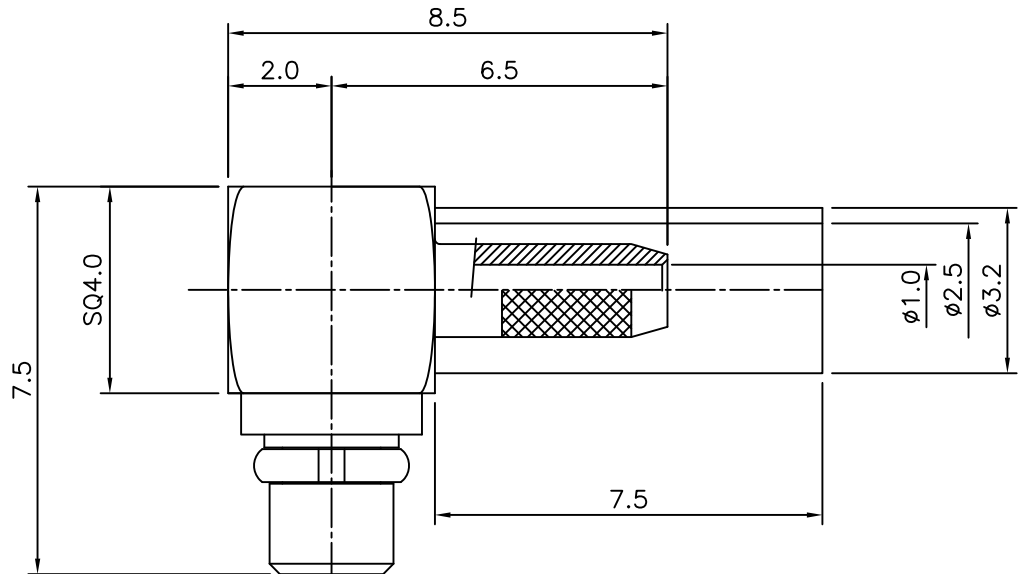


1	2	3	4	5	6	
SPECIFICATIONS		No.		Revision	Date	Name
Impedance ; 50ohm		△		PN Change from 1X-310-00	09/01/2014	B.G.YUN
Frequency range ; DC~6GHz		△		Dimension Change	24/01/2014	B.G.YUN
V.S.W.R : 1.3:1max @6GHz						
Working voltage : 170 VRMS						
Temperature range : -55°C to +155°C						

RoHS Compliant



MMCX-RIGHT ANGLE PLUG
FOR RG178B/U

Item	Materials	Plating
Body	Brass	Gold Plated
C-Ring	Be-Cu	Gold Plated
Center contact	Brass	Gold Plated
Ferrule	Brass	Gold Plated
Insulator	PTFE	-

CUSTOMER

NO.	DESCRIPTION	Q'TY	MATERIAL	FINISH	REMARKS.
PARTS No.	MMCX-310-001	NAME	MMCX-LP-178		APPROVED
MATERIAL	FINISH	TOLERANCES		OTHERWISE SPEC. ±0.05	ANGLES ±1°
SCALE		UNIT	mm		DESIGNED
DWG NO.		MMCX-310-001		DATE.	
DONGJIN TI.				06/NOV/2009	