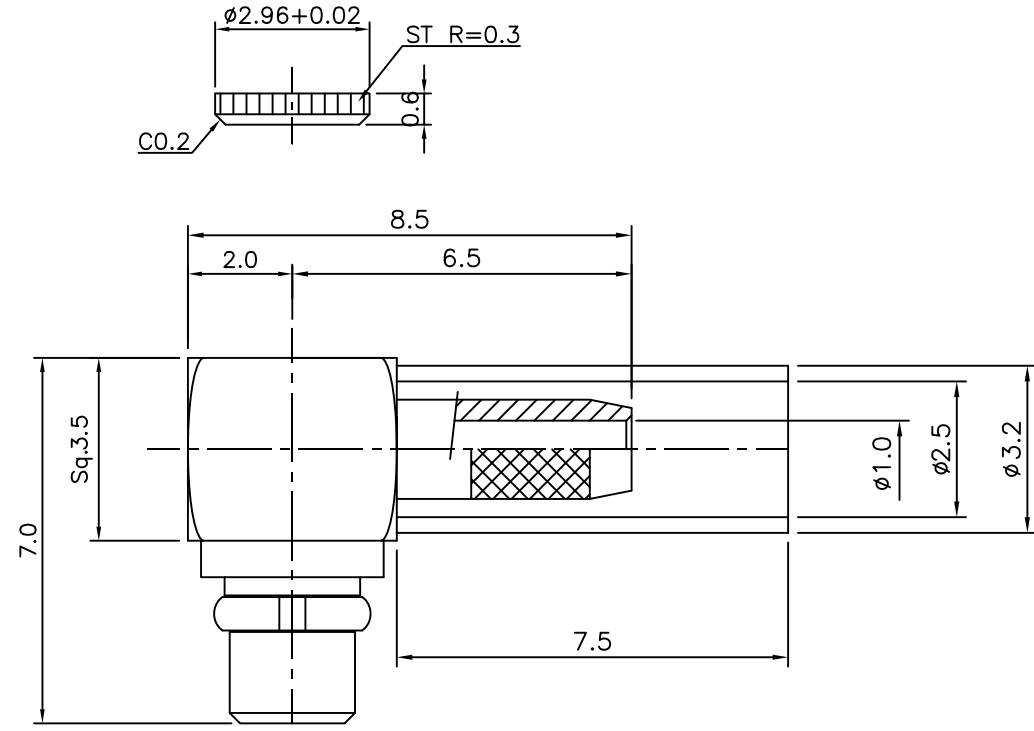


No.	Revision	Date	Name
△	PN Change from 1X-310-NM00	29/JUL/2013	S.J.PARK
△			

RoHS Compliant



MMCX-RIGHT ANGLE PLUG
FOR RG178B/U
(NON-MAGNETIC)

Item	Materials	Plating
Body	Brass	Gold Plated
C-Ring	Be-Cu	Gold Plated
Center contact	Be-Cu	Gold Plated
Ferrule	Brass	Gold Plated
Insulator	PTFE	-

CUSTOMER

NO.	DESCRIPTION	Q'TY	MATERIAL	FINISH	REMARKS.
PARTS No.	MMCX-310-004		NAME	MMCX-LP-178	APPROVED
MATERIAL	FINISH	TOLERANCES OTHERWISE SPEC. ±0.05		ANGLES ±1°	CHECKED
SCALE		UNIT	mm		DESIGNED S.J.LEE
DWG NO.		MMCX-310-004		DATE. 06/NOV/2009	

