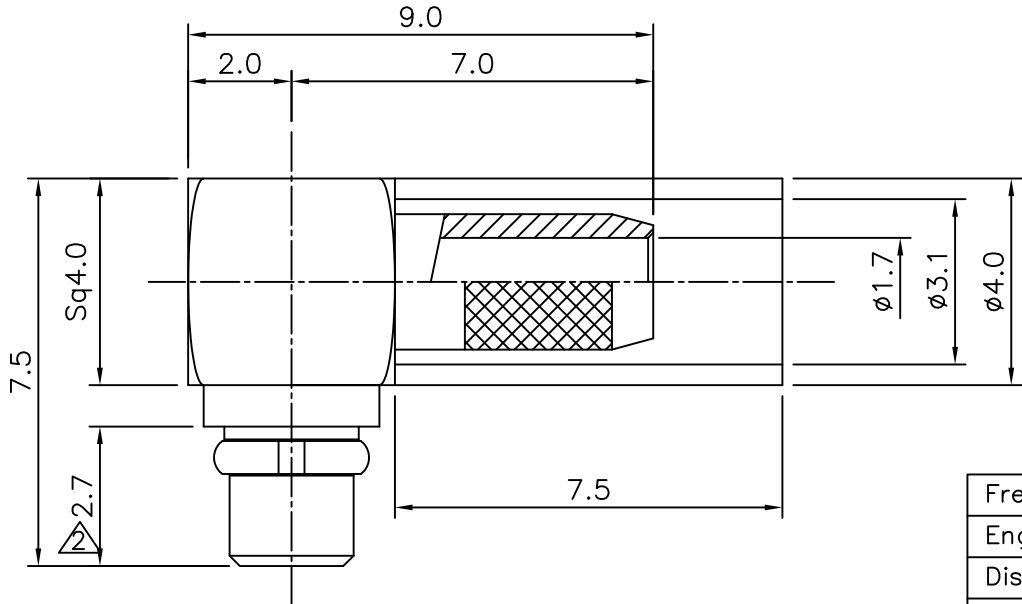


No.	Revision	Date	Name
1	PN Change from 1X-311-00	05/08/2013	B.G.YUN
2	Length Change from 2.8 to 2.7	11/03/2014	S.J.PARK

RoHS Compliant



Frequency Range	DC-6GHz
Engagement Force	3.4 lbs MAX
Disengagement Force	1.4 lbs TO 3.4 lbs
Durability	500 cycles
Characteristic Impedance	50Ω

MMCX-RAIGHT ANGLE PLUG  
FOR RG316

Item	Materials	Plating
Body	Brass	Gold Plated
C-Ring	Be-Cu	Gold Plated
Center contact	Brass	Gold Plated
Ferrule	Brass	Gold Plated
Insulator	PTFE	-

NO.	DESCRIPTION	Q'TY	MATERIAL	FINISH	REMARKS.
PARTS No. MMCX-311-001		NAME MMCX-LP-316		APPROVED	
MATERIAL		FINISH		TOLERANCES OTHERWISE SPEC. ±0.05 ANGLES ±1°	
		SCALE		UNIT mm	DESIGNED S.J.LEE
		DWG NO. MMCX-311-001		DATE. 12/JUN/2006	

CUSTOMER

