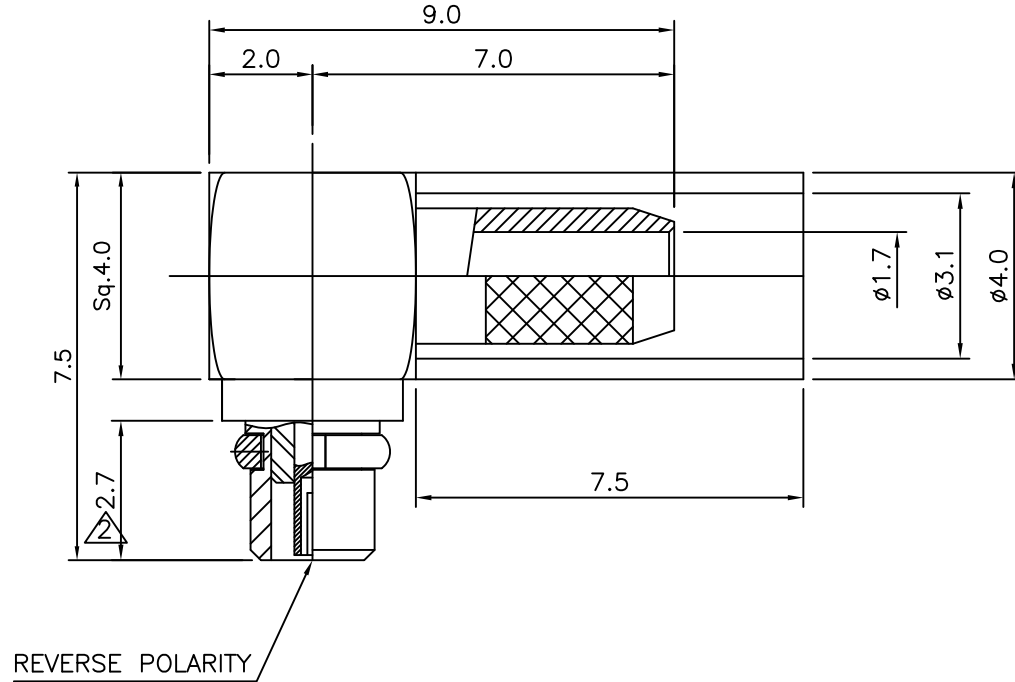


No.	Revision	Date	Name
1	PN Change from 1X-311RP-00	03/02/2014	B.G.YUN
2	Length Change from 2.8 to 2.7	04/02/2014	B.G.YUN

RoHS Compliant



MMCX-RAIGHT ANGLE PLUG
(REVERSE POLARITY)
FOR RG316

Item	Materials	Plating
Body	Brass	Gold Plated
C-Ring	Be-Cu	Gold Plated
Center contact	Be-Cu	Gold Plated
Ferrule	Brass	Gold Plated
Insulator	PTFE	-

CUSTOMER

NO.	DESCRIPTION	Q'TY	MATERIAL	FINISH	REMARKS.
PARTS No.	MMCX-311-002		NAME	MMCX-LP/RP-316	APPROVED
MATERIAL	FINISH	TOLERANCES OTHERWISE SPEC. ±0.05		ANGLES ±1°	CHECKED
SCALE		UNIT	mm		DESIGNED S.J.LEE
		DWG NO.	MMCX-311-002		DATE. 12/JUN/2006