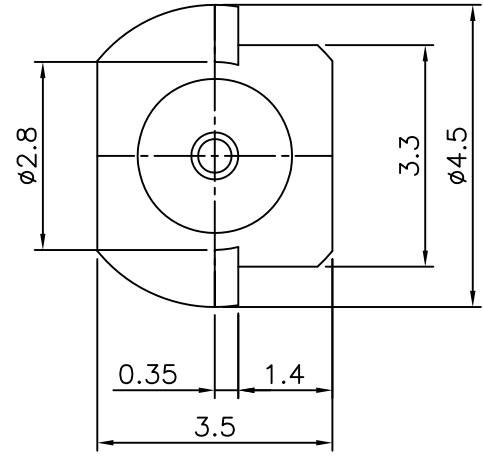
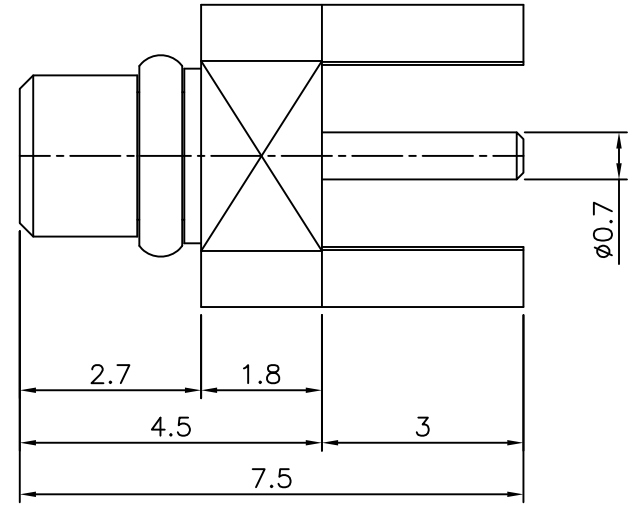


No.	Revision	Date	Name
▲	PN Change from 1X-501-00	12/FEB/2014	S.J.PARK
▲	PN Change from MMCX-601-002	12/FEB/2014	S.J.PARK

RoHS Compliant



Connector parts	Materials	Finish
Body	Brass	Gold Plated
Center contact	Brass	Gold Plated
Insulator	TEFLON	-

MMCX-Straight Plug  
PCB MOUNT

NO.	DESCRIPTION	Q'TY	MATERIAL	FINISH	REMARKS.
PARTS No.	MMCX-601-004		NAME	MMCX SP PCB	APPROVED
MATERIAL	FINISH	TOLERANCES OTHERWISE SPEC. ±0.05		ANGLES ±1°	CHECKED
SCALE		UNIT	mm		DESIGNED S.J.LEE
DWG NO.		MMCX-601-004		DATE. 2002.03.19	

CUSTOMER

