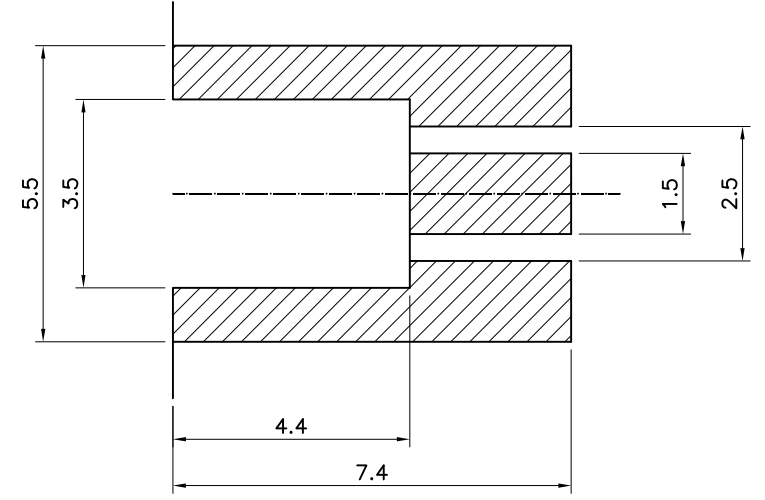
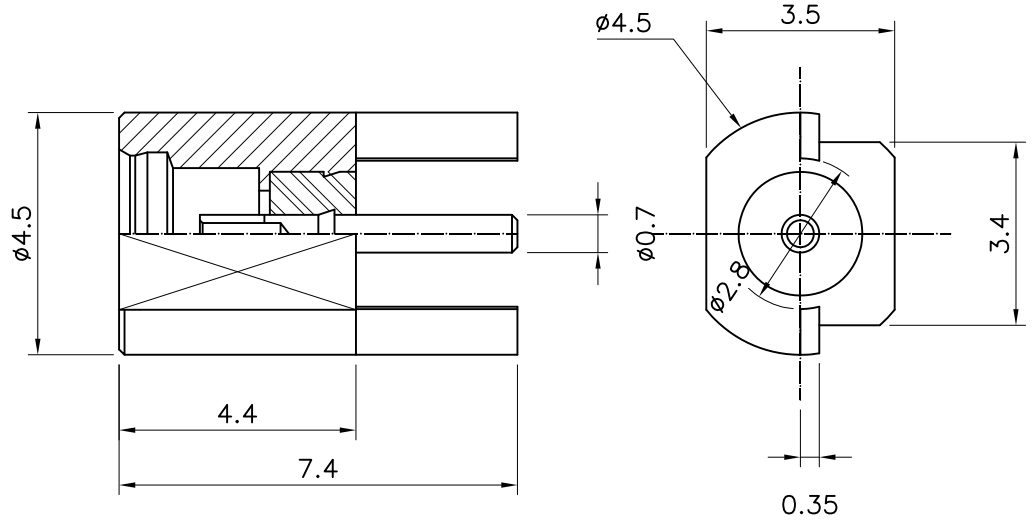


4	5	6	
No.	Revision	Date	Name
△	PN Change from 1X-502-00	22/07/2013	B.G.YUN
△			

RoHS Compliant



SOLDERPAD LAYOUT

MMCX-SMT-JACK
(Edge Mount)

Item	Materials	Plating
Body	Brass	Gold Plated
Center contact	Be-Cu	Gold Plated
Insulator	PTFE	-

CUSTOMER

NO.	DESCRIPTION	Q'TY	MATERIAL	FINISH	REMARKS.
PARTS No.	MMCX-602-003	NAME	MMCX-SMT-JACK		APPROVED
MATERIAL	FINISH	TOLERANCES	OTHERWISE SPEC. ±0.05		ANGLES ±1°
SCALE	UNIT	mm			DESIGNED S.J.LEE
DWG NO.	MMCX-602-003		DATE.		25/JUL/2007

