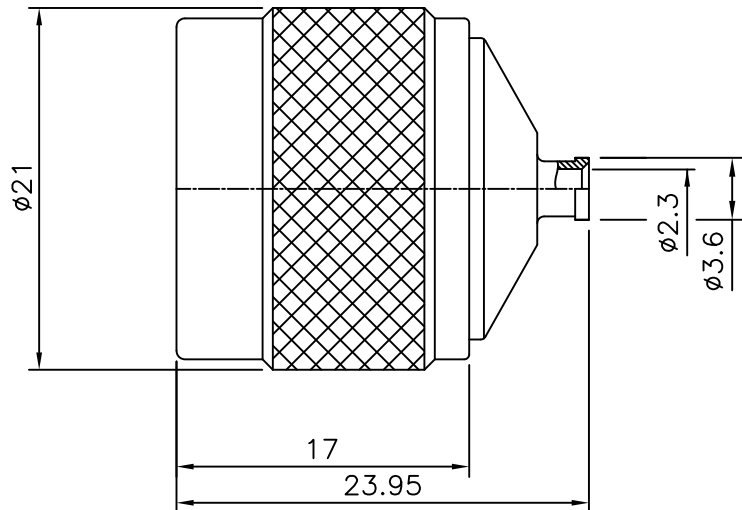


4	5	6	
No.	Revision	Date	Name
△	PN Change from 1N-101-00	28/APR/2014	S.J.PARK
△			

RoHS Compliant



**SPECIFICATIONS**  
 Impedance ; 50ohm  
 Frequency range ; DC~11GHz

Item	Materials	Plating
Body	Brass	Gold Plated
Coupling Cap	Brass	Nickel Plated
Center contact	Brass	Gold Plated
Insulator	PTFE	-
Seal	Silicon rubber	-

**N-TYPE STRAIGHT PLUG  
for Cable UT085**

NO.	DESCRIPTION	Q'TY	MATERIAL	FINISH	REMARKS.
PARTS No.	N-101-001	NAME	N ST PLUG-085		APPROVED
MATERIAL	FINISH	TOLERANCES OTHERWISE SPEC. ±0.05		ANGLES ±1°	CHECKED
SCALE		UNIT	mm		DESIGNED S.J.LEE
DWG NO.		N-101-001		DATE.	2001.05/07

**CUSTOMER**

