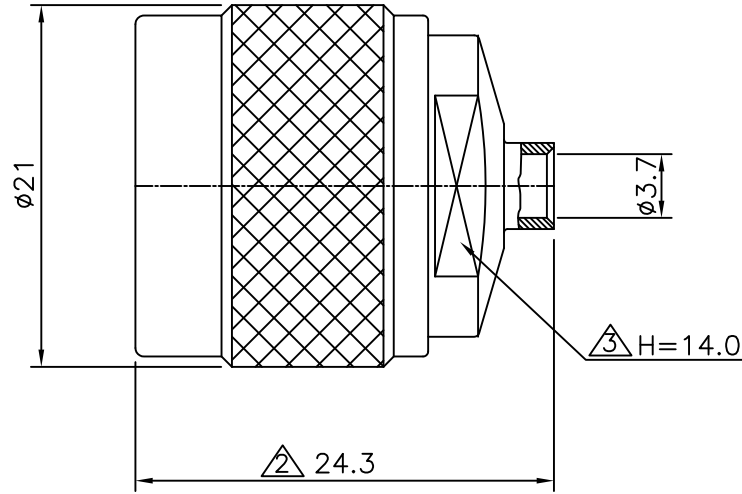


No.	Revision	Date	Name
①	PN Change from 1N-102-00	27/AUG/2013	S.J.PARK
②	Length Change from 24.0 to 24.3	04/SEP/2013	S.J.PARK
③	Add H Flat 14.0	04/SEP/2013	S.J.PARK

RoHS Compliant



SPECIFICATIONS

Impedance ; 50ohm
 Frequency range ; DC~18GHz
 V.S.W.R ; 1.27:1

Item	Materials	Plating
Body	Brass	Gold Plated
Coupling Cap	Brass	Nickel Plated
Center contact	Brass	Gold Plated
Insulator	PTFE	-
Seal	Silicon rubber	-

N-TYPE STRAIGHT PLUG
 for Cable UT141

NO.	DESCRIPTION	Q'TY	MATERIAL	FINISH	REMARKS.
PARTS No.	N-102-001	NAME	N ST PLUG-141		APPROVED
MATERIAL	FINISH	TOLERANCES OTHERWISE SPEC. ±0.05		ANGLES ±1°	CHECKED
SCALE		UNIT	mm		DESIGNED S.J.LEE
DWG NO.		N-102-001		DATE.	09/AUG/2006

CUSTOMER

