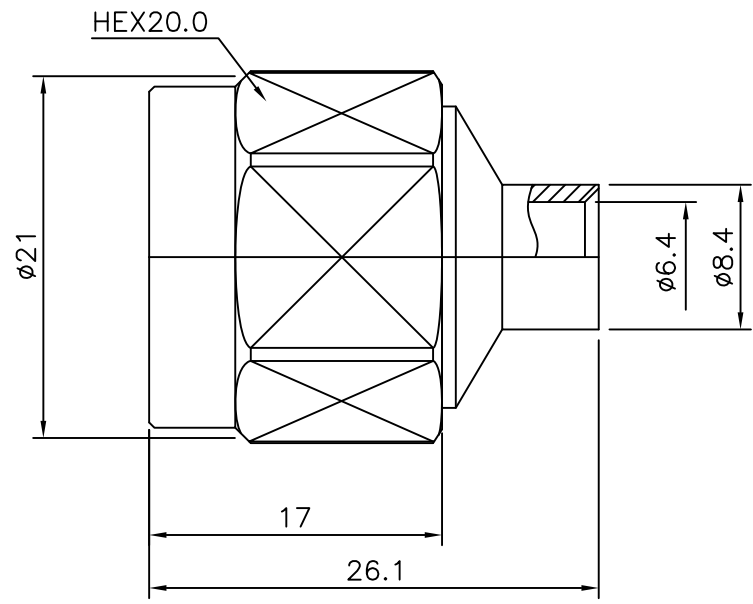


| 4   | 5                         | 6           |          |
|-----|---------------------------|-------------|----------|
| No. | Revision                  | Date        | Name     |
| △   | PN Change from 1N-103-00H | 02/JUL/2014 | S.J.PARK |
| △   |                           |             |          |

RoHS Compliant



**SPECIFICATIONS**  
 Impedance ; 50ohm  
 Frequency range ; DC~11GHz

| Item           | Materials      | Plating       |
|----------------|----------------|---------------|
| Body           | Brass          | Gold Plated   |
| Coupling Cap   | Brass          | Nickel Plated |
| Center contact | Brass          | Gold Plated   |
| Insulator      | PTFE           | -             |
| Seal           | Silicon rubber | -             |

N-TYPE STRAIGHT PLUG  
 for Cable UT250

| NO.       | DESCRIPTION | Q'TY                                | MATERIAL      | FINISH              | REMARKS.            |
|-----------|-------------|-------------------------------------|---------------|---------------------|---------------------|
| PARTS No. | N-103-002   | NAME                                | N ST PLUG-250 |                     | APPROVED            |
| MATERIAL  | FINISH      | TOLERANCES<br>OTHERWISE SPEC. ±0.05 |               | ANGLES ±1°          | CHECKED             |
| SCALE     |             | UNIT                                | mm            |                     | DESIGNED<br>S.J.LEE |
| DWG NO.   |             | N-103-002                           |               | DATE.<br>2001.05/07 |                     |

**CUSTOMER**

