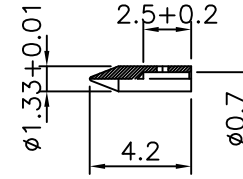
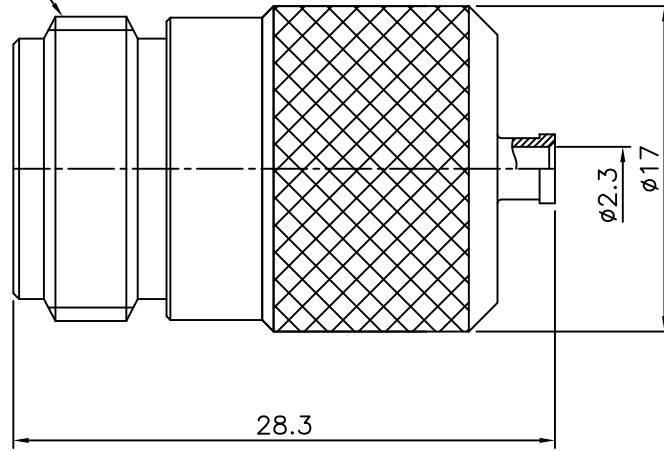


4	No.	Revision	5	Date	6
	△	PN Change from 1N-201-00		28/APR/2014	S.J.PARK
	△				

5/8-24UNEF-2A



Insert pin

N-TYPE STRAIGHT JACK
for Cable-UT085

Item	Materials	Plating
Body	Brass	Nickel Plated
Center contact	Be-Cu	Gold Plated
Insert pin	Brass	Gold Plated
Insulator	PTFE	-

CUSTOMER

NO.	DESCRIPTION	Q'TY	MATERIAL	FINISH	REMARKS.
PARTS No.	N-201-001		NAME	N-ST JACK UT085	APPROVED
MATERIAL	FINISH	TOLERANCES OTHERWISE SPEC. ±0.05		ANGLES ±1°	CHECKED
SCALE		UNIT	mm		DESIGNED S.J.LEE
DWG NO.		N-201-001		DATE. 2001.2/27	



DONGJIN TI.