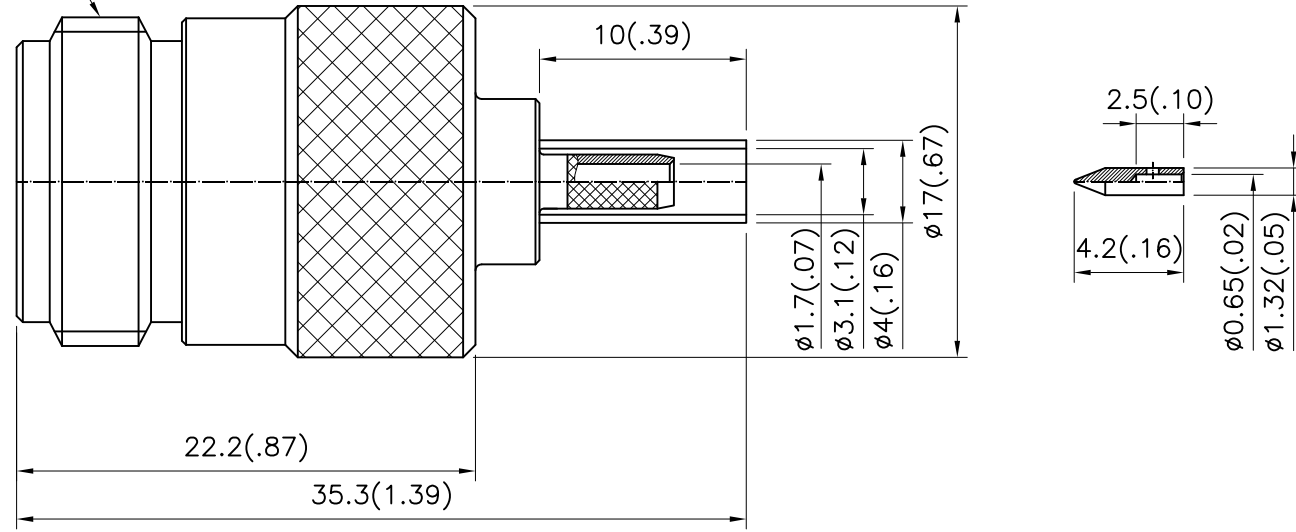


No.	Revision	Date	Name
△	PN Change from 1N-211-00	27/06/2013	B.G.YUN
△			

5/8-24UNEF-2A



N-TYPE STRAIGHT JACK
For CABLE RG316,174

Item	Materials	Plating
Body	Brass	Nickel Plated
Center contact	Be-Cu	Gold Plated
Ferrule	Brass	Nickel Plated
Insulator	PTFE	-

CUSTOMER

NO.	DESCRIPTION	Q'TY	MATERIAL	FINISH	REMARKS.
PARTS No.	N-211-001		NAME	N-SJ-316	APPROVED
MATERIAL	FINISH	TOLERANCES OTHERWISE SPEC. ±0.05		ANGLES ±1°	CHECKED
		SCALE	UNIT mm		DESIGNED S.J.LEE
		DWG NO.	N-211-001		DATE. 2001.2/27



DONGJIN TI.