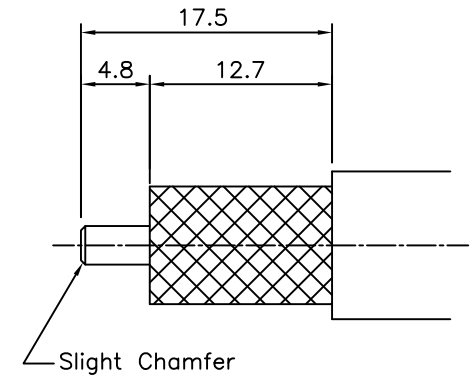
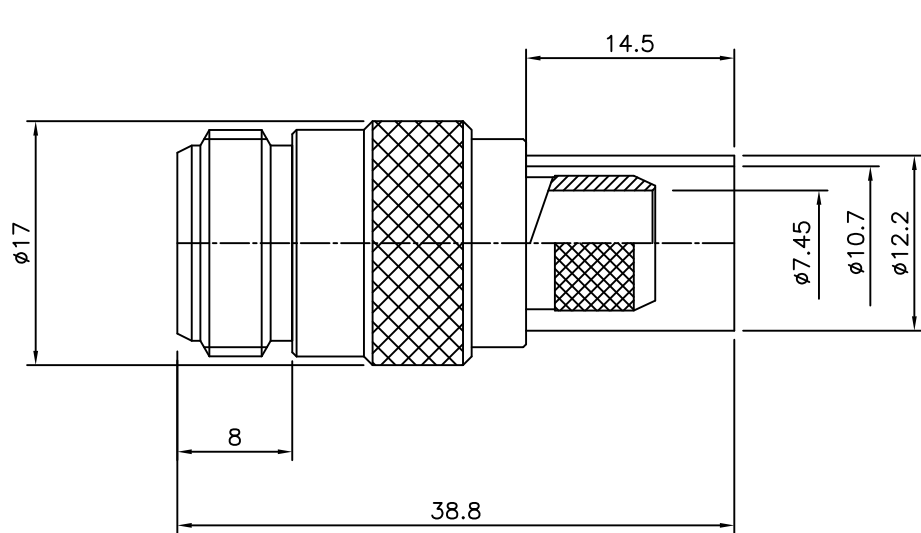


4	5	6
No.	Revision	Date
△	PN Change from 1N-214-04	18/APR/2014
△		
		Name
		B.G.YUN

SPECIFICATIONS

Impedance ; 50ohm
 Frequency ; DC~6GHz
 Working Voltage; 1,000 VRMS
 VSWR ; max 1.25:1 UP TO 3.0GHz
 Temperature range : -55°C to +155°C

RoHS Compliant



Recommended Stripping DIM'S
Recommended Crimp DIES : HEX10.7

N-Type Straight JACK
 For CABLE LMR400, RG213

Connector parts	Materials	Finish
Body	Brass	Nickel Plated
Center contact	Be-Cu	Gold Plated
Insulator	TEFLON	-
Ferrule	Brass	Nickel Plated

CUSTOMER

NO.	DESCRIPTION	Q'TY	MATERIAL	FINISH	REMARKS.
PARTS No.	N-214-002	NAME	N Type-SJ-LMR400		APPROVED
MATERIAL	FINISH	TOLERANCES OTHERWISE SPEC. ±0.05		ANGLES ±1°	CHECKED
SCALE		UNIT	mm		DESIGNED S.J.LEE
DONGJIN TI.		DWG NO.	N-214-002		DATE. 03/SEP/2007