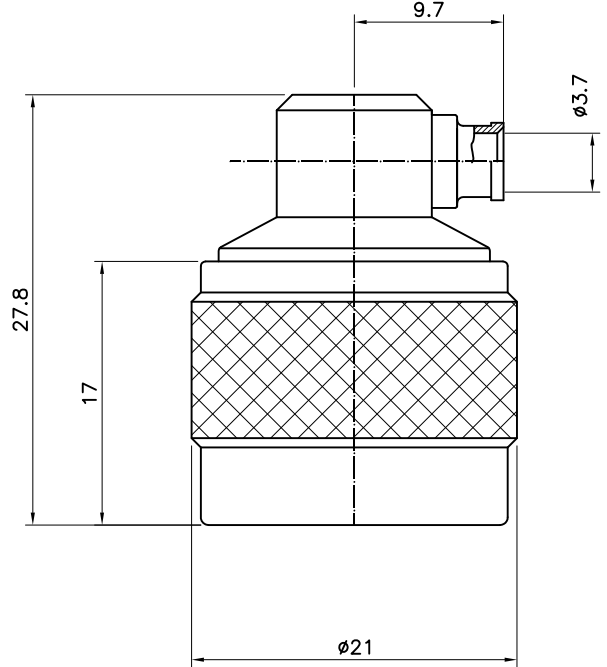


4	5	6	
No.	Revision	Date	Name
△	PN Change from 1N-302-00	19/07/2013	B.G.YUN
△			

RoHS Compliant



Item	Materials	Plating
Coupling Cap	Brass	Nickel Plated
Body	Brass	Gold Plated
Center contact	Brass	Gold Plated
Insulator	PTFE	-
Seal	Silicon rubber	-

N-TYPE RIGHT ANGLE PLUG
for Cable UT141, RG402

NO.	DESCRIPTION	Q'TY	MATERIAL	FINISH	REMARKS.
PARTS No.	N-302-001	NAME	N R/A PLUG-141		APPROVED
MATERIAL	FINISH	TOLERANCES OTHERWISE SPEC. ±0.05		ANGLES ±1°	CHECKED
SCALE		UNIT	mm		DESIGNED S.J.LEE
DWG NO.		N-302-001		DATE.	25/FEB/2008

CUSTOMER

DONGJIN TI.